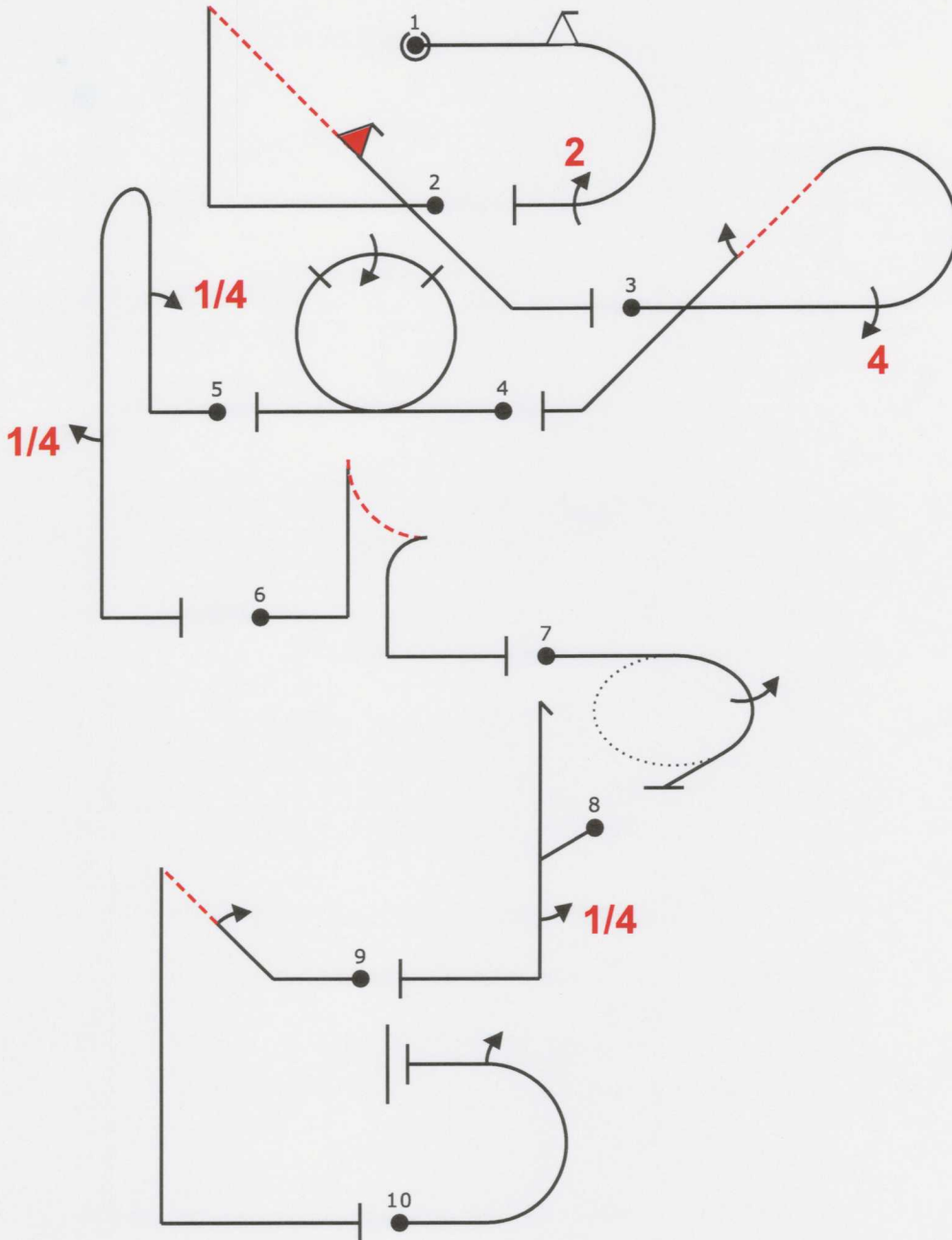
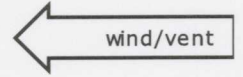


Glider			
Fig 1	7.2.3.3 9.9.3.2 9.4.3.4	6 12 17	34 (35)
Fig 2	8.6.5.1 9.10.10.2	11 15	25 (26)
Fig 3	1.1.1.1 9.2.3.4	2 14	16
Fig 4	8.4.1.1 9.1.5.2	13 6	19
Fig 5	7.8.8.1 9.1.2.2 9.1.2.2	19 9 9	36 (37)
Fig 6	6.2.2.1 9.1.5.1	17 3	20
Fig 7	5.2.1.1 9.1.1.1	17 9	26
Fig 8	1.1.1.1 9.1.3.4	2 12	14
Fig 9	1.2.3.1 9.1.2.2	12 9	21
Fig 10	2.1.3.1	19	19
Total K = 230 (max K = 230)			

Gabriel Pilot
Stangl AYC



Torun WGAC 2014		Form B
Pilot ID	Glider Unlimited Programme Free	Flight #



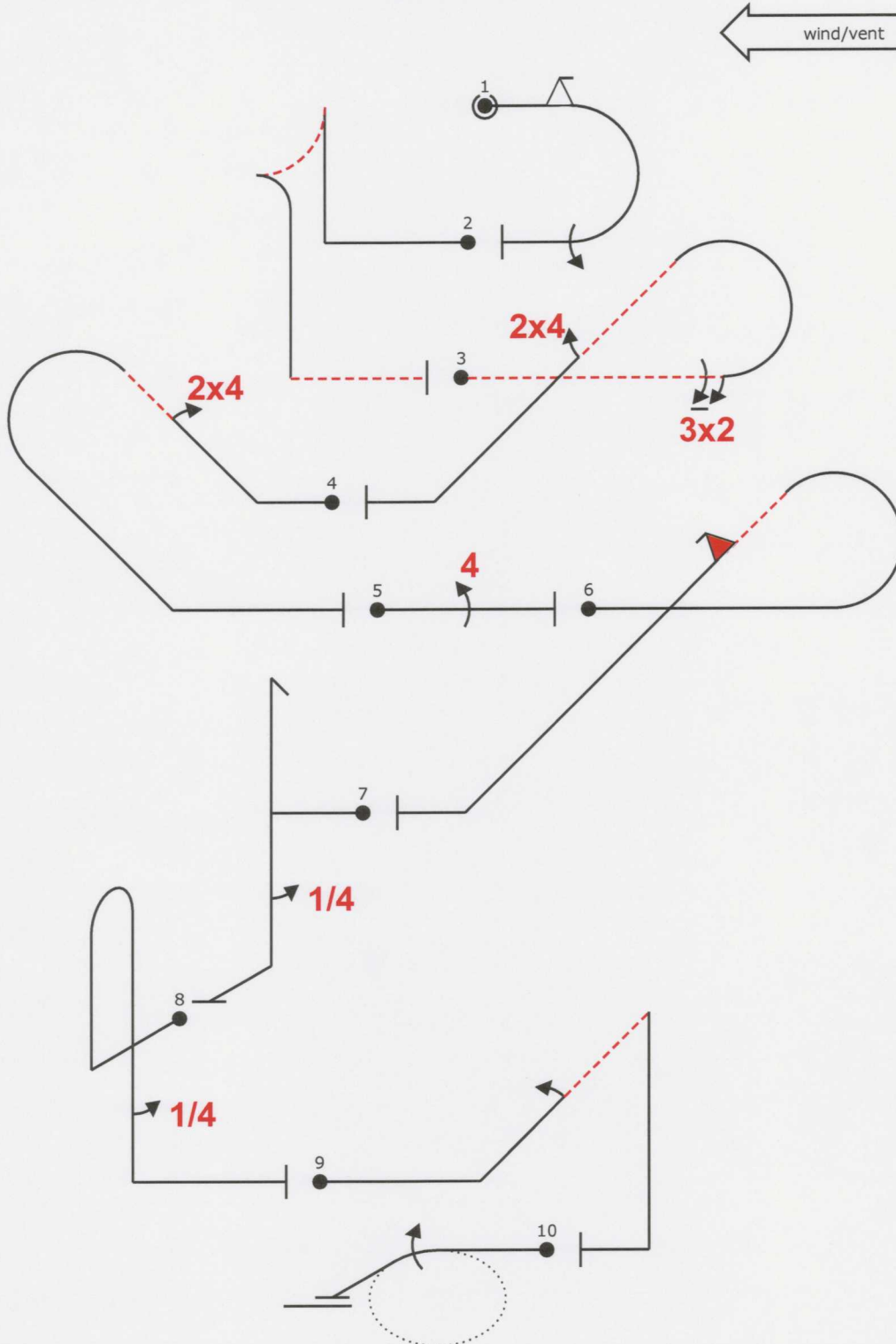
Glider			
Fig 1	7.2.3.3 9.9.3.2 9.2.3.4	6 12 14	32
Fig 2	1.2.7.1 9.10.4.2	13 15	28
Fig 3	8.5.6.1 9.4.3.4 9.1.4.2	10 17 6	32 (33)
Fig 4	7.4.1.1 9.1.3.4	10 12	22
Fig 5	8.4.1.1 9.1.1.1 9.1.5.1	13 9 3	25
Fig 6	6.2.2.1	17	17
Fig 7	2.1.3.3	21	21
Fig 8	5.2.1.1 9.1.5.1	17 3	20
Fig 9	1.2.3.1 9.1.2.2	12 9	21
Fig 10	7.2.2.1 9.1.3.2	6 6	12
Total K = 230 (max K = 230)			

Check: 22-7-2014 20:42 OpenAero 1.4.3.1 2014 glider-civa unlimited free Sequence is correct
 +2fa,22+` (0,0) ~++k''2if. ``+,44`c.,2''+'' o,1 ``+,4''b.',4.'''+'' (0,0) ````+ita`````````` 1joi+` (0,0) h`4'+ ,2t...'+ m,2

Mayr Sigg Pilot
 Swift S1 A/C



WGAC Torun 2014		Form B
Pilot ID	Glider Unlimited Programme Free	Flight #

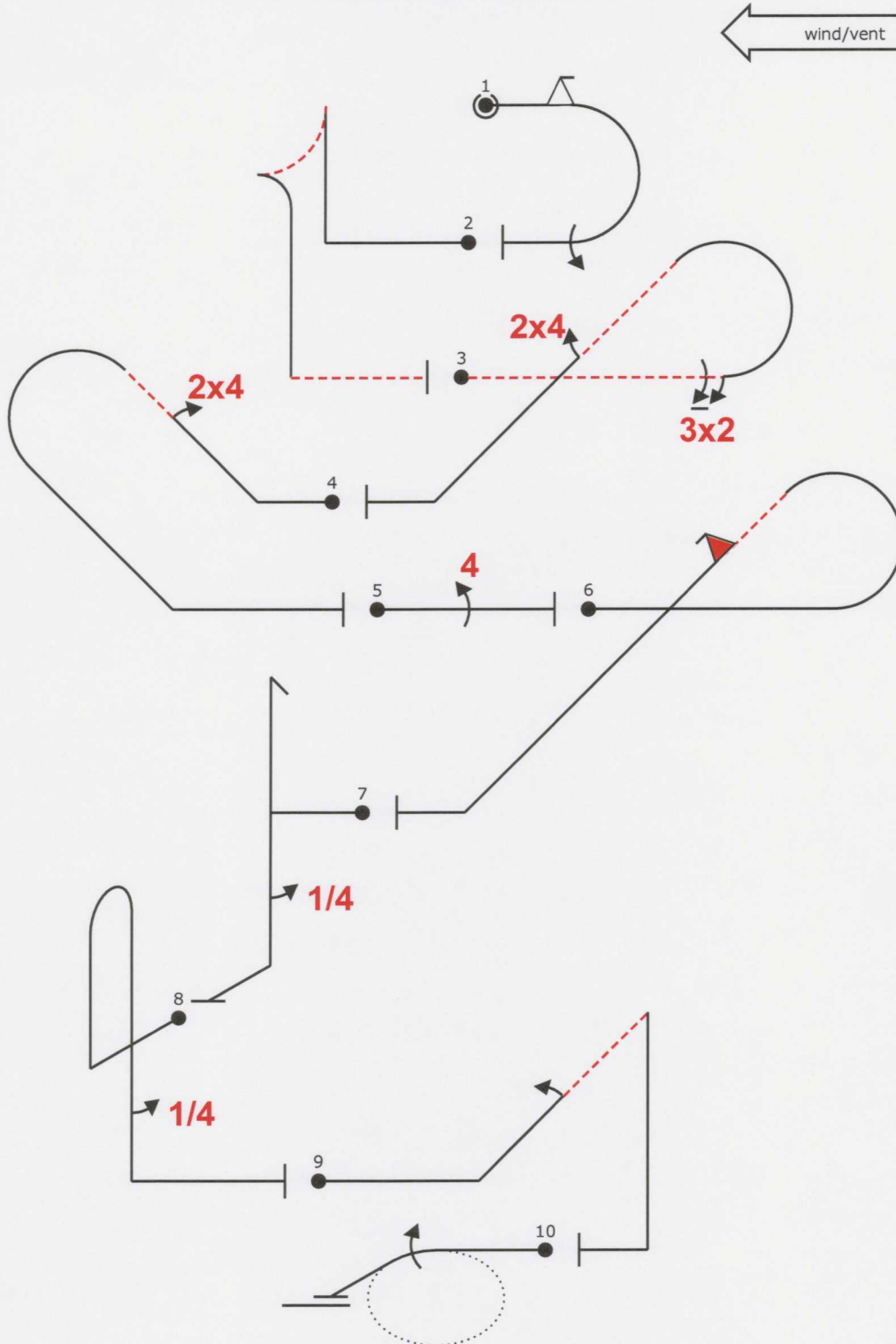


Check: 23-7-2014 15:30 OpenAero 1.4.3.1 2014 glider-civa unlimited free Sequence is correct
 2fal ita- -,32c.'',24. ',24''rdb.'+' -44~ c'',2if.... -h'4''~ ~-b..4+ ~+..2.t.. 1jol

Premysl Vavra Pilot
 S1 Swift | OK-2100
 A/C



WGAC Torun 2014		Form B
Pilot ID	Glider Unlimited Programme Free	
	Flight #	

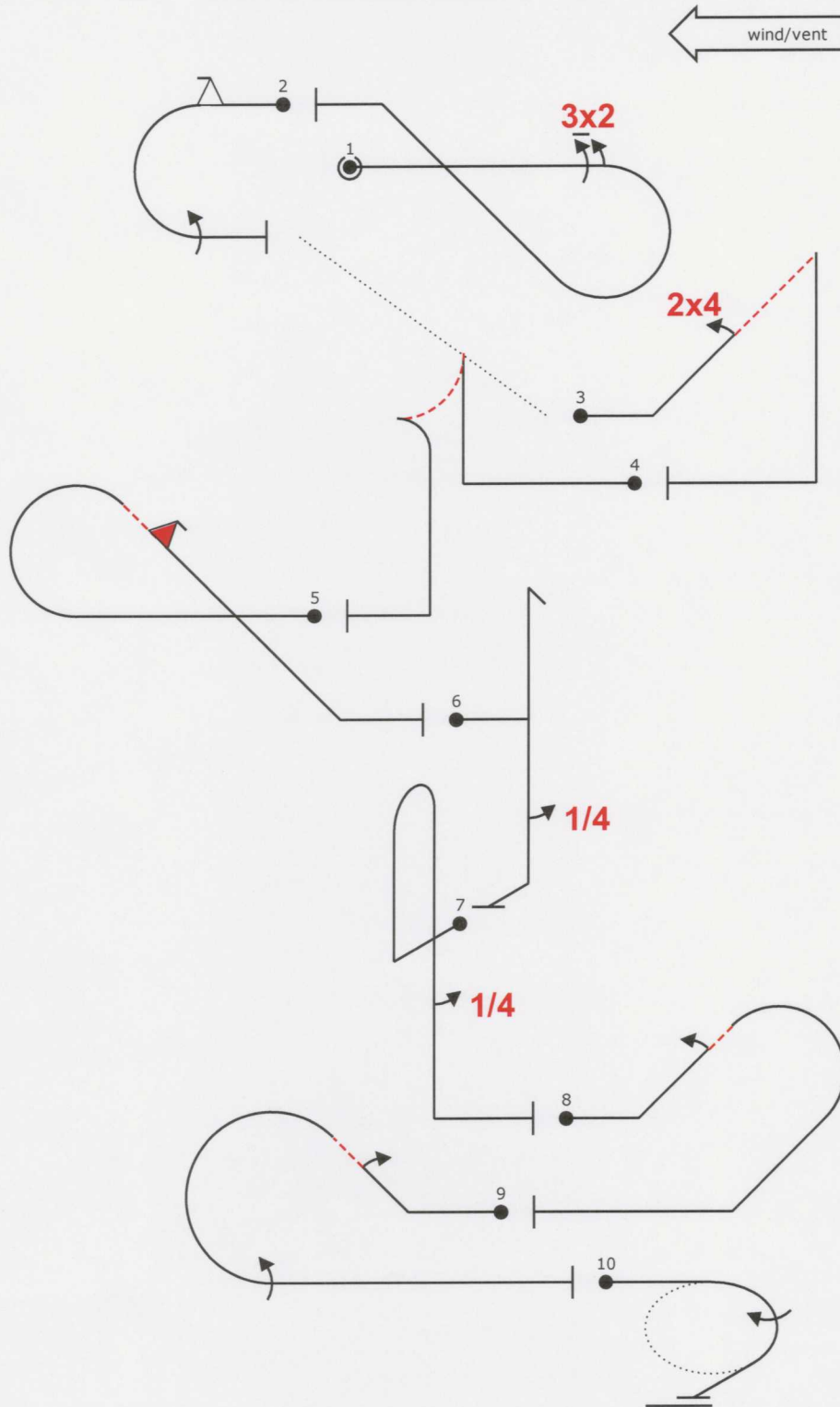


Check: 23-7-2014 15:30 OpenAero 1.4.3.1 2014 glider-civa unlimited free Sequence is correct
 2fal ita- -,32c.'',24. ',24''rdb.'+''' -44~ c'',2if.... -h'4''~ --b..4+ ~+.2.t.. 1jo1

Jan Rozlivka Pilot
 S1 Swift | OK-2100
 A/C



WGAC Torun 2014		Form B
Pilot ID	Glider Unlimited Programme Free	
	Flight #	

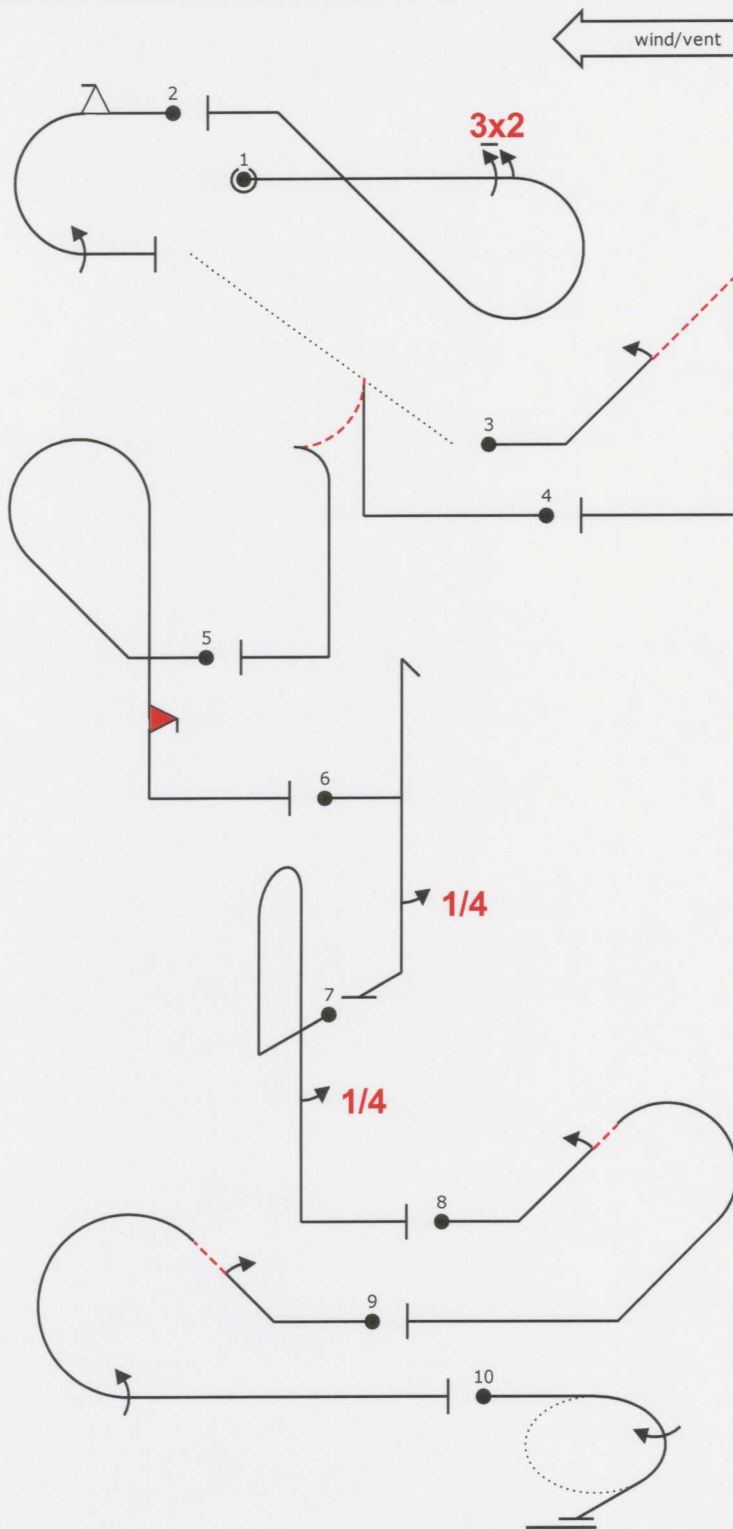


Check: 23-7-2014 15:31 OpenAero 1.4.3.1 2014 glider-civa unlimited free Sequence is correct
 32ic. ,2fal [15,11] .24.t.+~ ~-ita+` c2if..~ h'4'' b..4.> 2rdb 3% `''''''',2``rcl 1j1

Jan Rolinek Pilot
 SWIFT / OK-2151 A/C
[Signature]



WGAC Torun 2014		Form B
Pilot ID	Glider Unlimited Programme Free	
	Flight #	

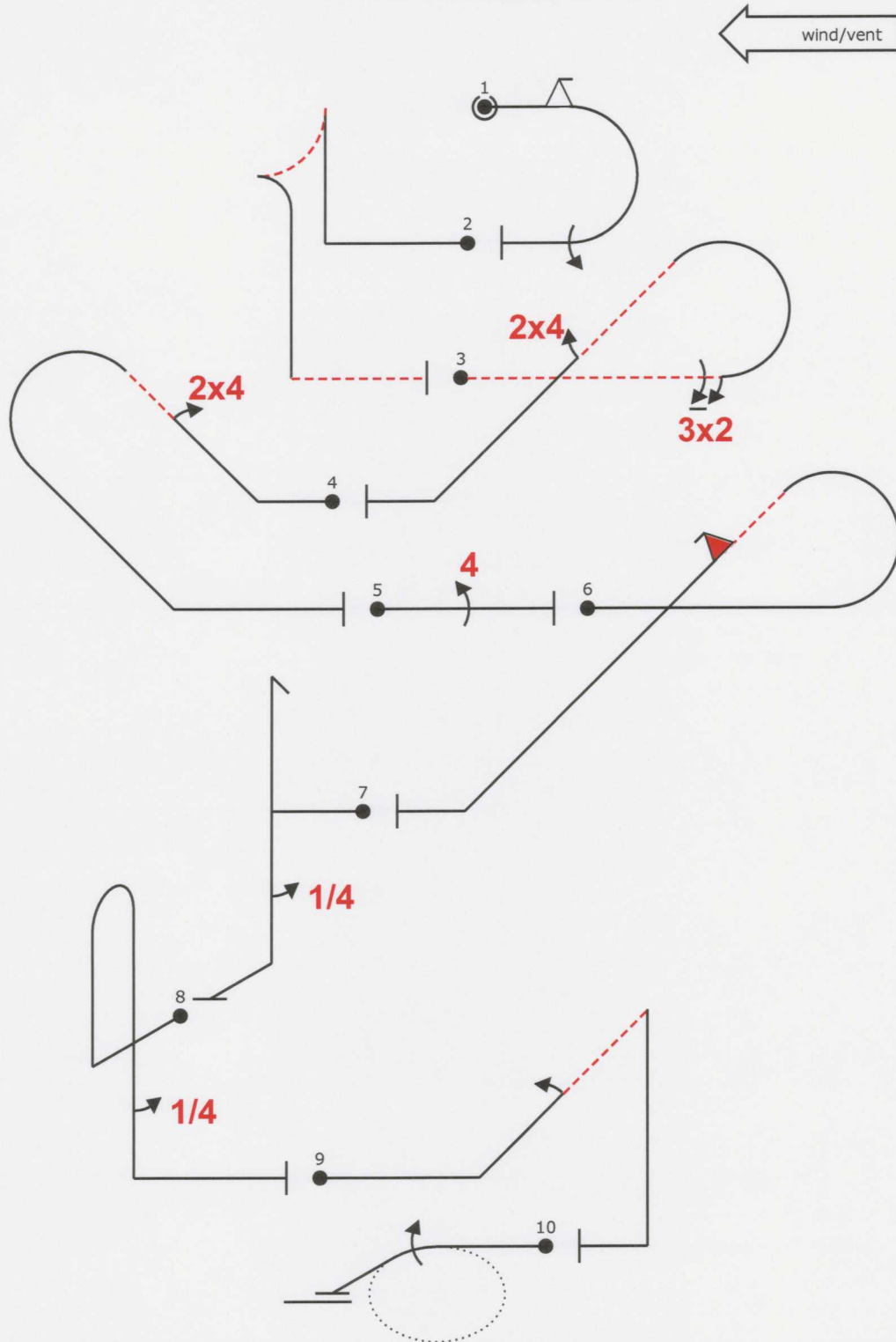


Check: 23-7-2014 15:31 OpenAero 1.4.3.1 2014 glider-civa unlimited free Sequence is correct
 32ic. ,2fal [15,11] .2.t..+~ ~-ita+` y..2if`~ h''4'' b..4.> 2rdb 3% `''''''''',2''rc1 1j1

Milos Ramert Pilot
 SWIFT | OK-2151
 A/C



WGAC Torun 2014		Form B
Pilot ID	Glider Unlimited Programme Free	Flight #

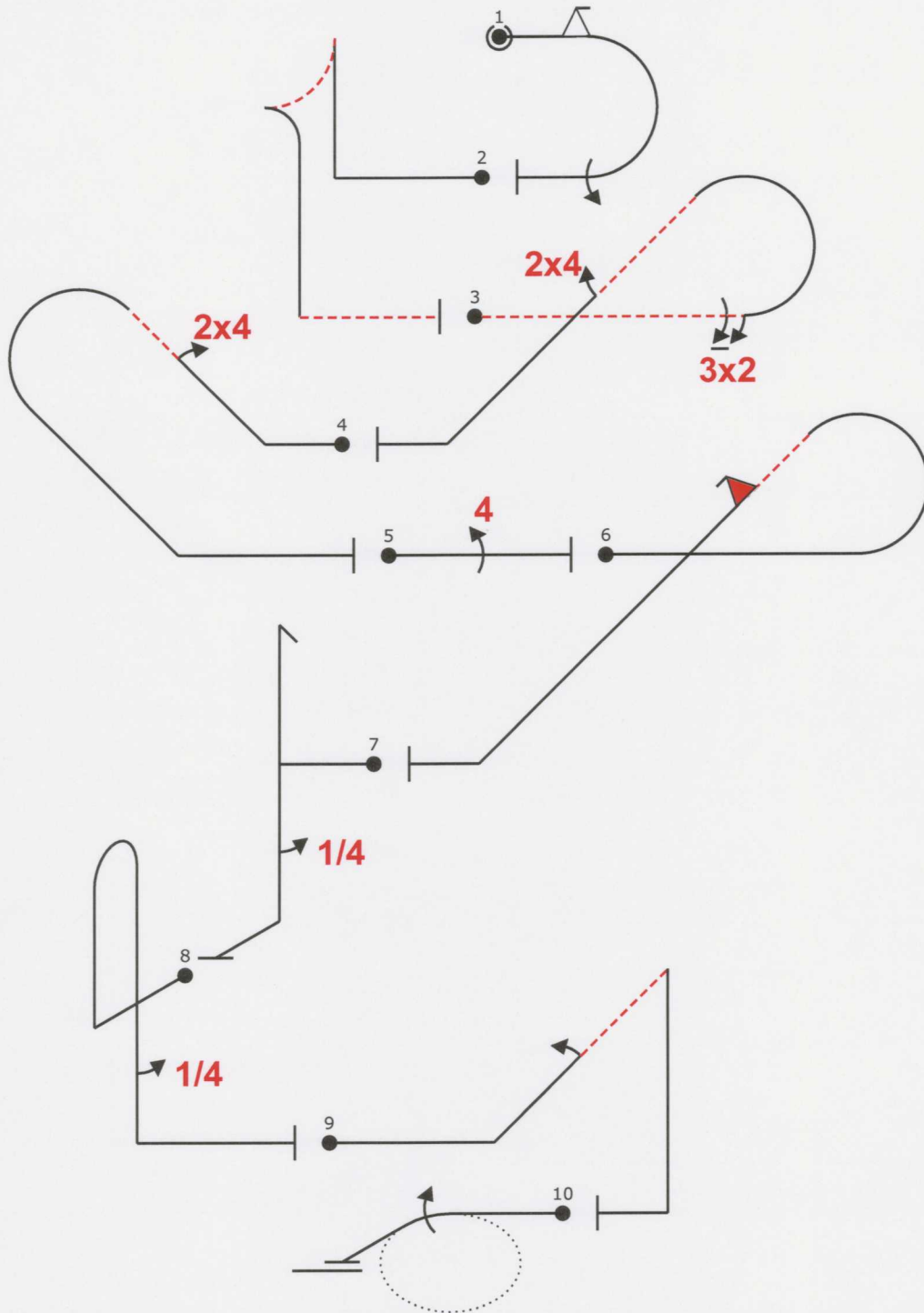
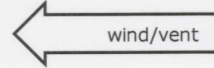


Check: 23-7-2014 15:31 OpenAero 1.4.3.1 2014 glider-civa unlimited free Sequence is correct
 2fal ita- -,32c.'',24. ',24''rdb.'+''' -44- c'',2if.... -h'4''~ ~-b..4+ --+.2.t... 1j01

Miroslav Cervenka
Pilot
S1 Swift | OK-2100
A/C



WGAC Torun 2014		Form B
Pilot ID	Glider Unlimited Programme Free	Flight #

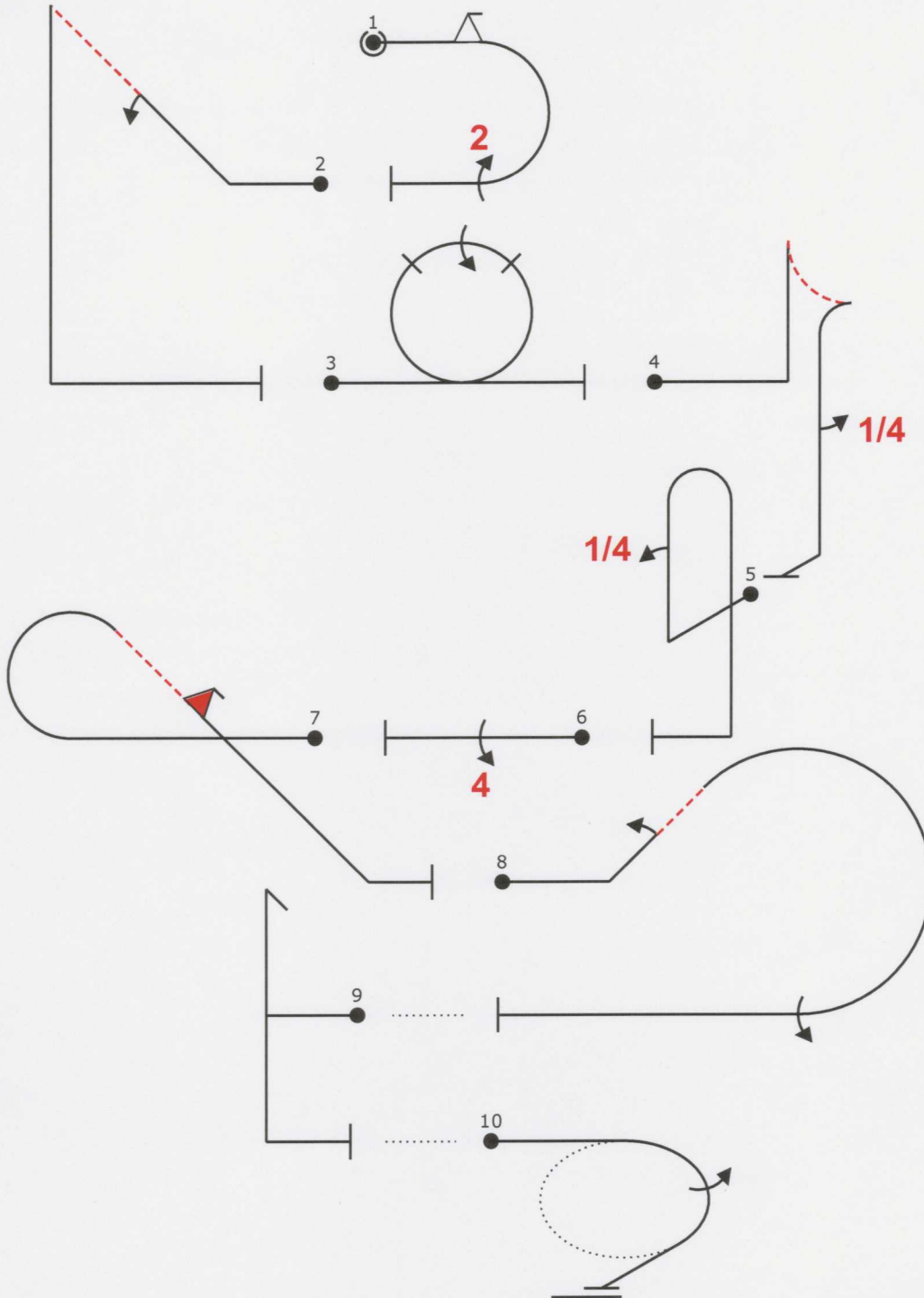
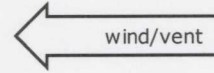


Check: 23-7-2014 15:32 OpenAero 1.4.3.1 2014 glider-civa unlimited free Sequence is correct
 2fal ita- -,32c.'',24. ',24''rdb.'+' ~44- c'',2if.... -h'4''~ ~-b..4+ ~-+.2.t... 1joi

Vladimir Machula Pilot
 S1 Swift | OK-2100
 AC



WGAC Torun 2014		Form B
Pilot ID	Glider Unlimited Programme Free	Flight #

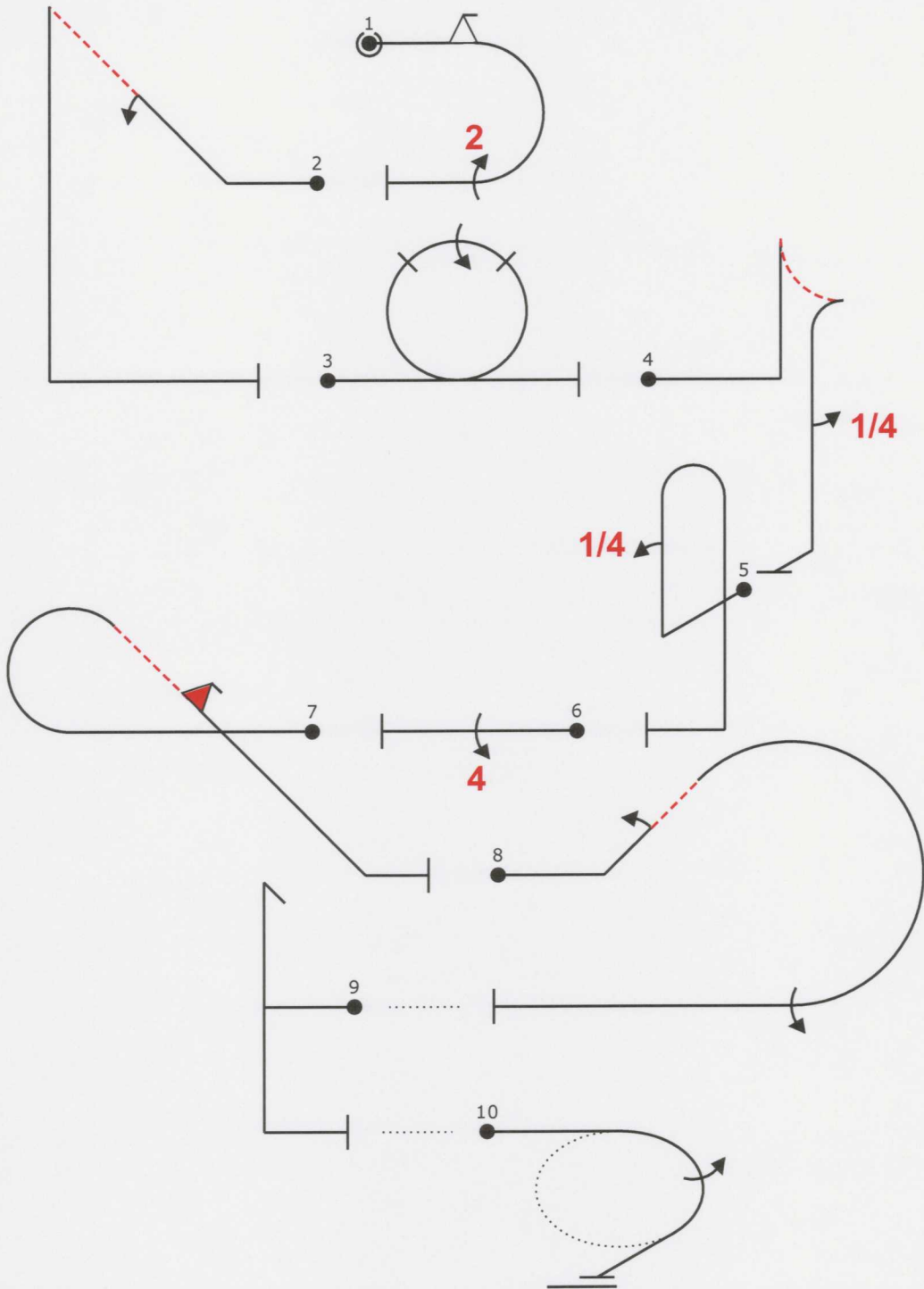
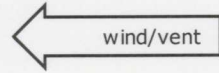


Check: 23-7-2014 15:33 OpenAero 1.4.3.1 2014 glider-civa unlimited free Sequence is correct
 ~2fa,22~ [0,0] 14% ``+`2`'t~ [0,0] -o1~ [0,0] -1% 'ita`4..+```` -1% --4'b.'+' [0,0] -1% ''44'' [0,0] -1% -c.'2if.. [0,0] 9% ``+````````2``rc1+`````` [-4,0] 2% ``h [4,0] 2% ljo1

Benoit MERIEAU Pilot
 A/C



WGAC Torun 2014		Form B
Pilot ID	Glider Unlimited Programme Free	Flight #

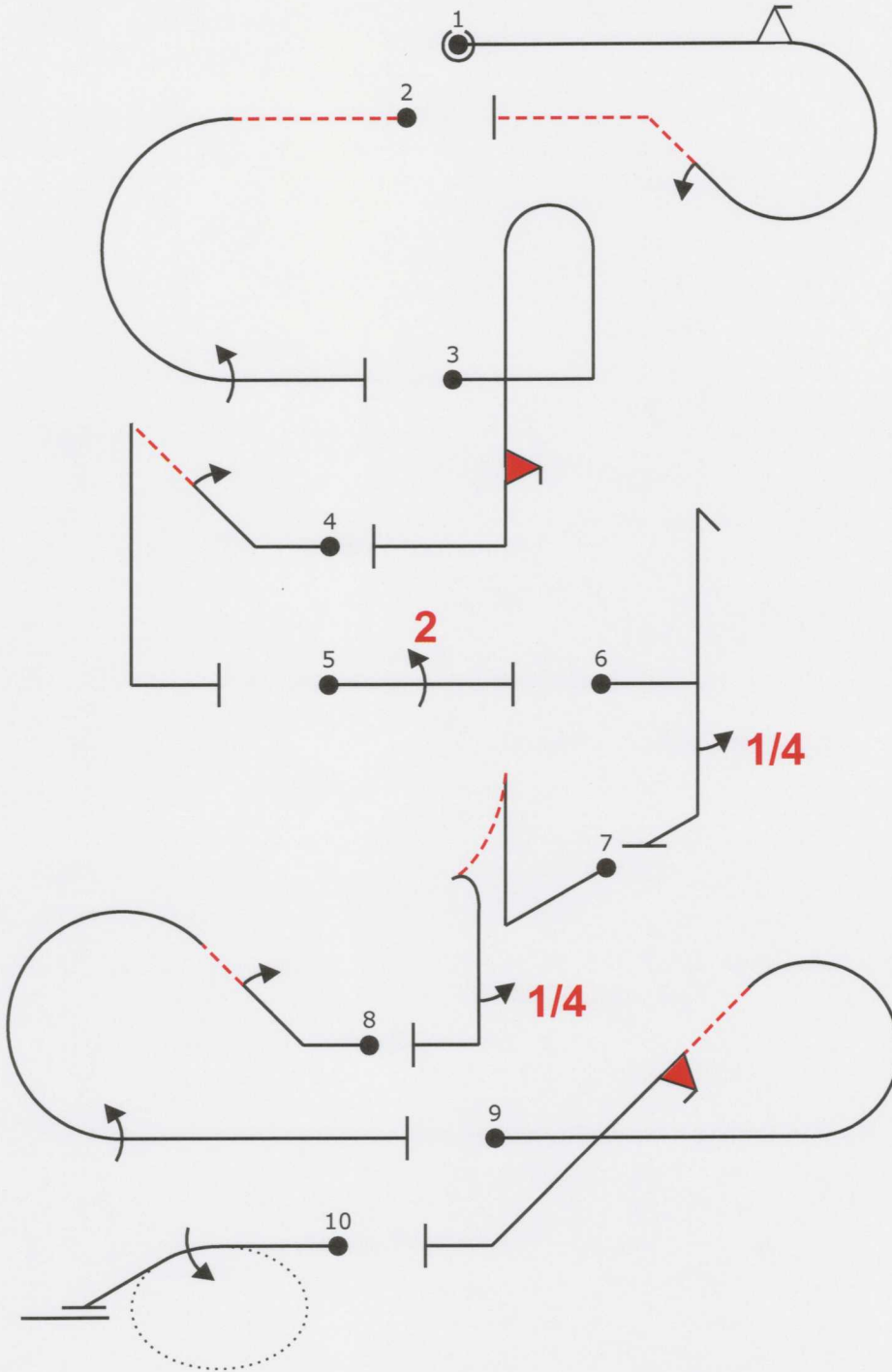
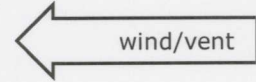


Check: 23-7-2014 15:34 OpenAero 1.4.3.1 2014 glider-civa unlimited free Sequence is correct
 -2fa,22~ [0,0] 14% ``+`2`b`- [0,0] -ol- [0,0] -1% `ita`4.,+```` -1% ~-4'b.''+` [0,0] -1% ``44'' [0,0] -1% ~c.`2if.. [0,0] 9% ``+````````2`rc1+`````` [-4,0] 2% ``h [4,0] 2% ljo1

Nicolas HONNONS
 Pilot
 A/C



WGAC 2014 Torun		Form B
Pilot ID	Glider Unlimited Programme Free	Flight #



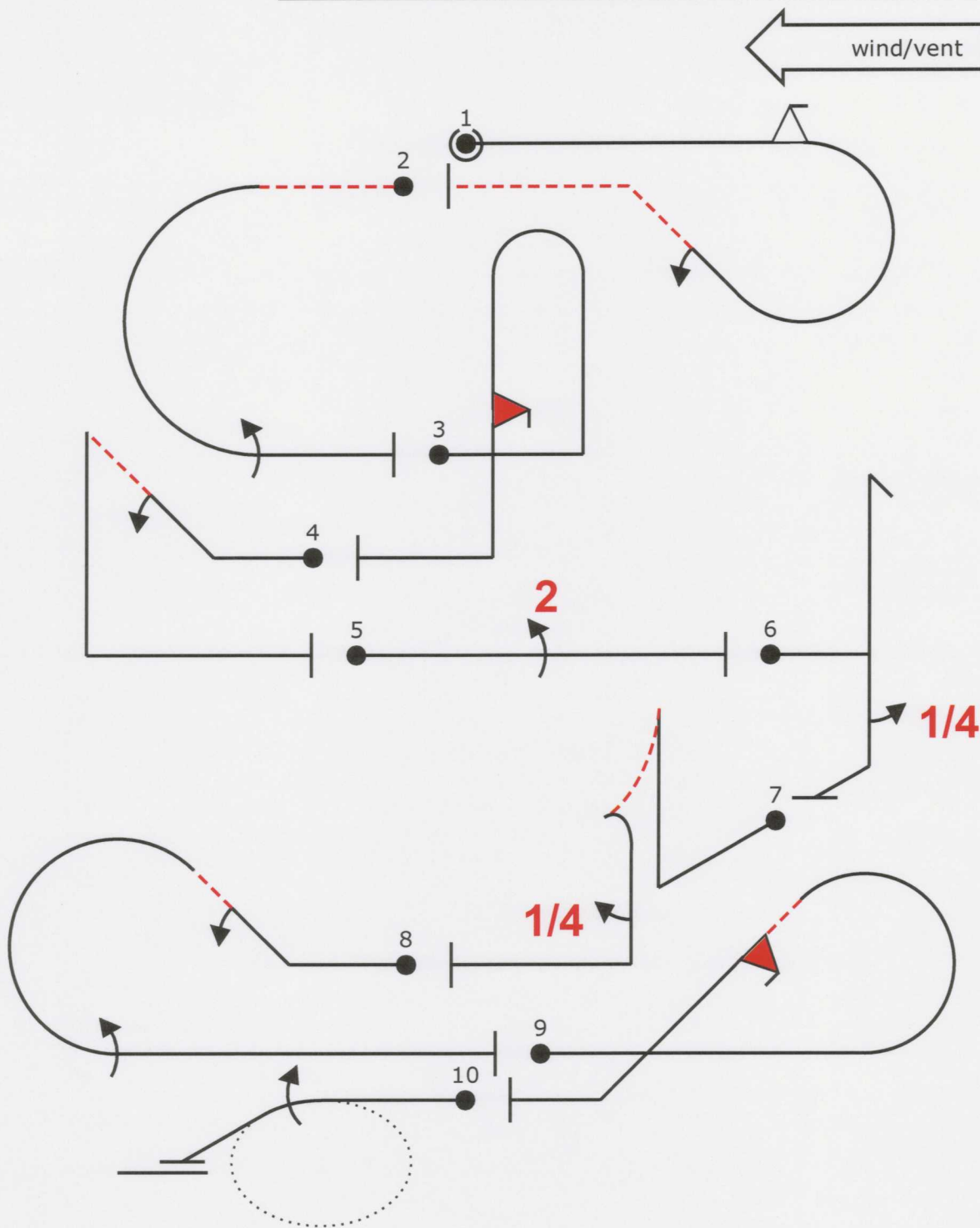
Glider			
Fig 1	8.5.8.3 9.9.3.2 9.1.2.2	11 12 9	32
Fig 2	7.2.1.4 9.1.3.4	6 12	18
Fig 3	8.4.1.1 9.10.10.2	13 15	28
Fig 4	1.2.3.1 9.1.2.2	12 9	21
Fig 5	1.1.1.1 9.2.3.4	2 14	16
Fig 6	5.2.1.1 9.1.5.1	17 3	20
Fig 7	6.2.2.1 9.1.5.1	17 3	20
Fig 8	8.5.2.1 9.1.2.2 9.1.3.4	10 9 12	31
Fig 9	8.5.6.1 9.10.4.2	10 15	25
Fig 10	2.1.3.1	19	19
Total K = 230 (max K = 230)			

2fic'2'----- [0,0] 5% --a1 [0,0] 'b.'2if' '+,2t.' 3> 22 2> h'4' '+ita''4+'''' 3% ''+''''''',2
''rc1+'''' 2> c''2if''+' 2> '+1j1


Michael SPITZER
 Pilot
 A/C



WGAC 2014		Form B
Pilot ID	Glider Unlimited Programme Free	Flight #



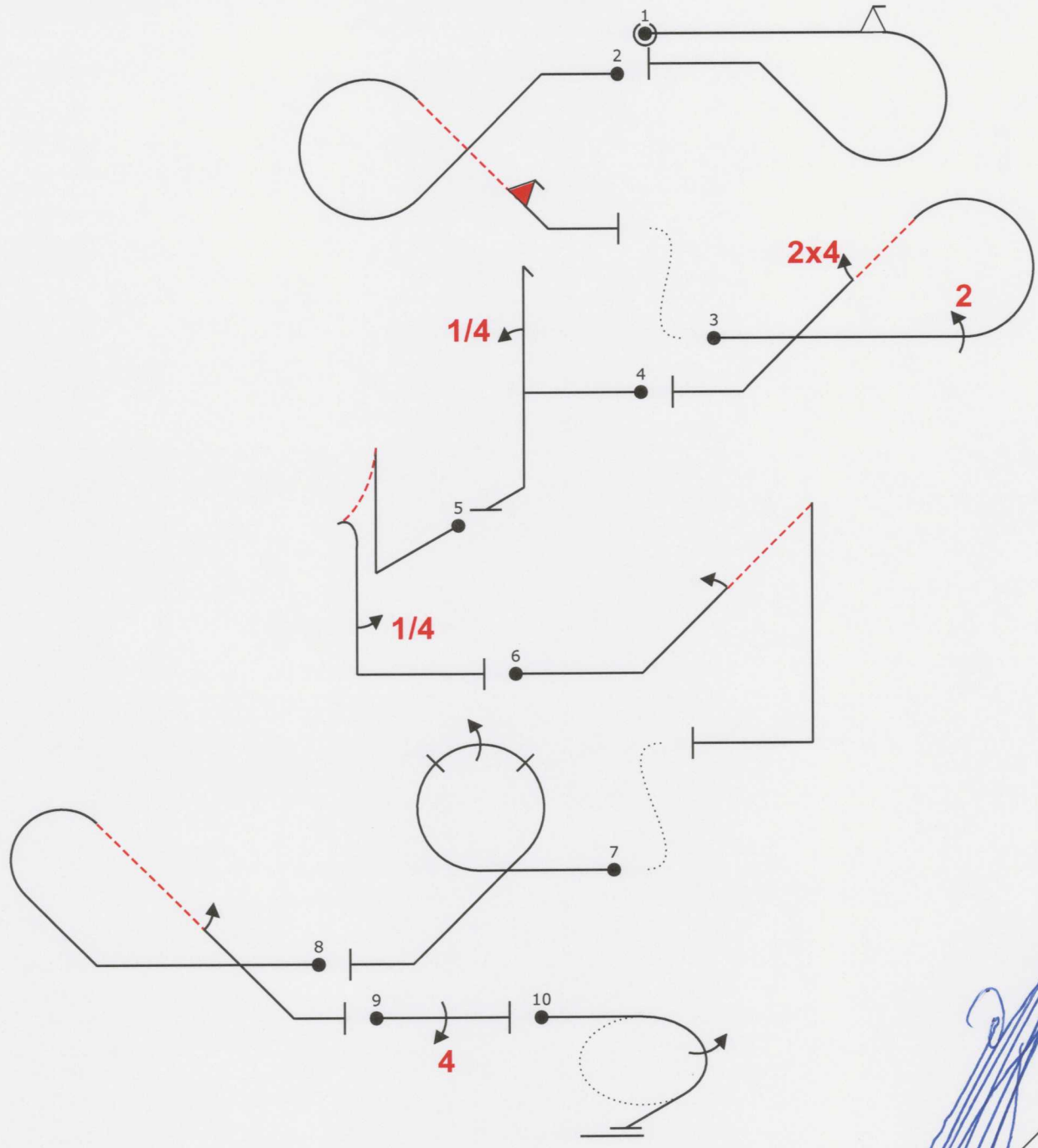
Check: 23-7-2014 15:36 OpenAero 1.4.3.1 2014 glider-civa unlimited free Sequence is correct
 2fic2''''''--- 5% -a1 b2if'' 2t''++ . '22.' h'4 ita''''''',4 2% ''''''''2''rc1 c2if 1jol

Schaal, Eugen Pilot
 Swift S1 / D-8139
 A/C



WGAC 2014		Form B
Pilot ID	Glider Unlimited Programme Free	Flight #

← wind/vent

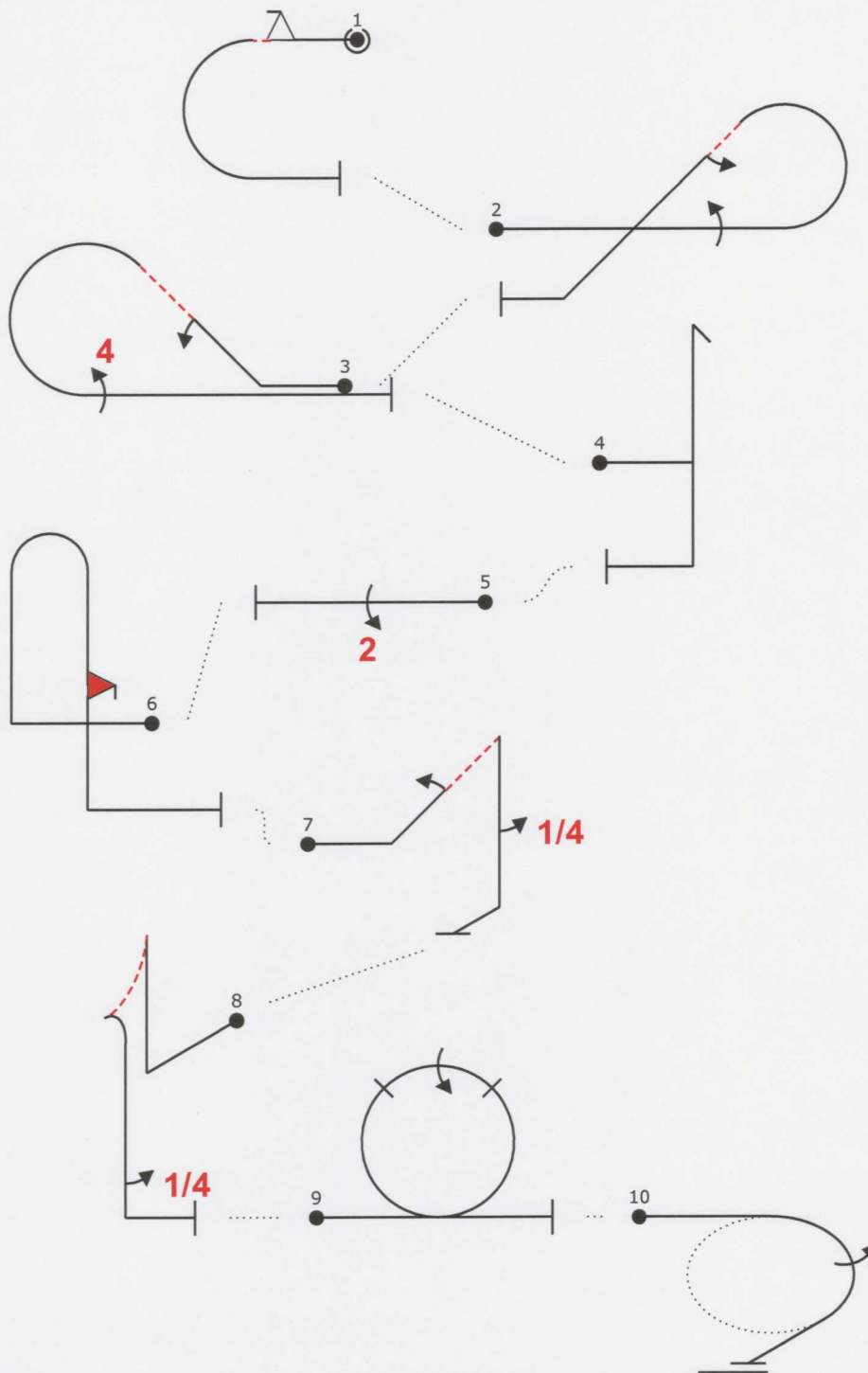
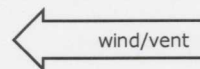


Check: 23-7-2014 15:37 OpenAero 1.4.3.1 2014 glider-civa unlimited free Sequence is correct
 +^^2fic^^^+ 1% ig2if (2,7) 1% 22e'',24 +4h ita``4' 9% 2t (-1,8) q(1) -2% --+db..2...' ,44 ljol

Tammo Sternke
 Pilot
 Fox D-9510
 A/C



WGAC 2014		Form B
Pilot ID	Glider Unlimited Programme Free	Flight #



Check: 23-7-2014 15:38 OpenAero 1.4.3.1 2014 glider-civa unlimited free Sequence is correct
 ed ,2f'a~ -1% [5,3] 1.'c2.' [-5,5] 1% ''''2rc'44' [8,4] ~h~ (-3,2) 6% 22 [-2,7] 1% ~b2if''~ (1,2) 1
 % 2t'4> [-9,3] ita4+''''> (3,0) 1% oi> (1,0) 2% 1jol

Wolfgang SCHIECK
 Pilot

 A/C

Pilot ID #

Unlimited Free

Flight #

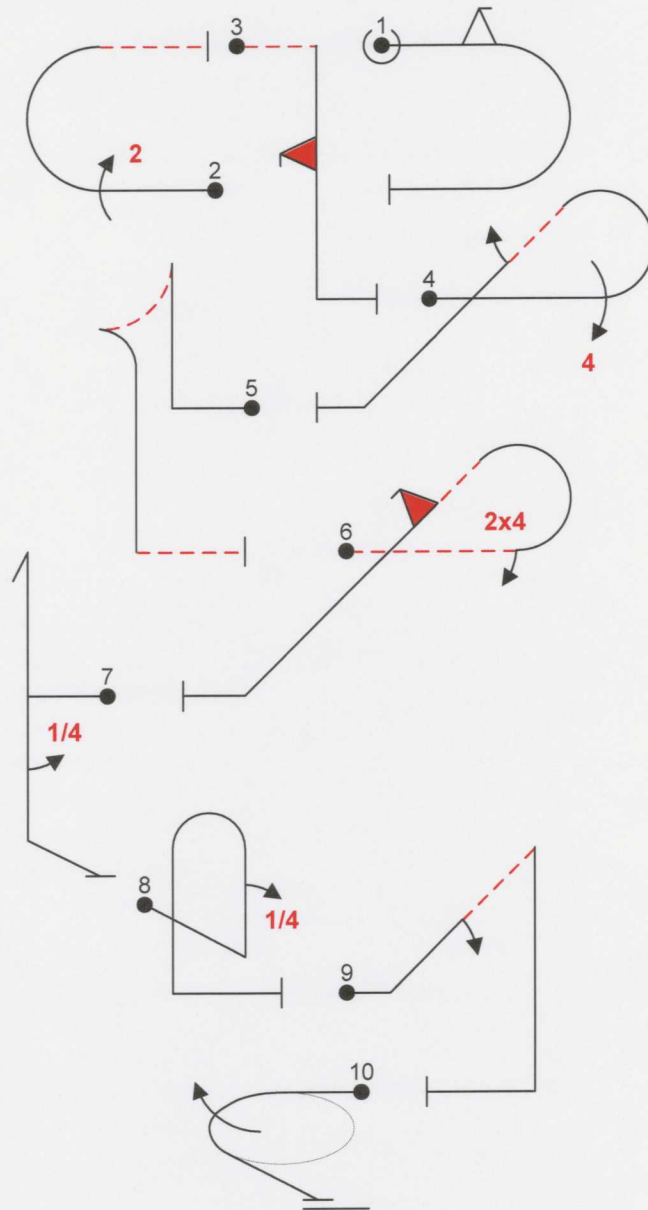
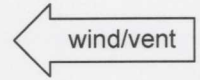


Fig 1	7.2.3.3 9.9.3.2	6 12	18
Fig 2	7.2.1.1 9.2.3.4	6 14	20
Fig 3	1.1.7.4 9.10.10.2	9 15	24
Fig 4	8.5.6.1 9.4.3.4 9.1.4.2	10 17 6	33
Fig 5	6.2.2.3	18	18
Fig 6	8.5.8.2 9.4.3.2 9.10.4.2	11 8 15	34
Fig 7	5.2.1.1 9.1.5.1	17 3	20
Fig 8	8.4.1.1 9.1.1.1	13 9	22
Fig 9	1.2.3.1 9.1.2.2	12 9	21
Fig 10	2.1.3.3	21	21
Total K = 231			

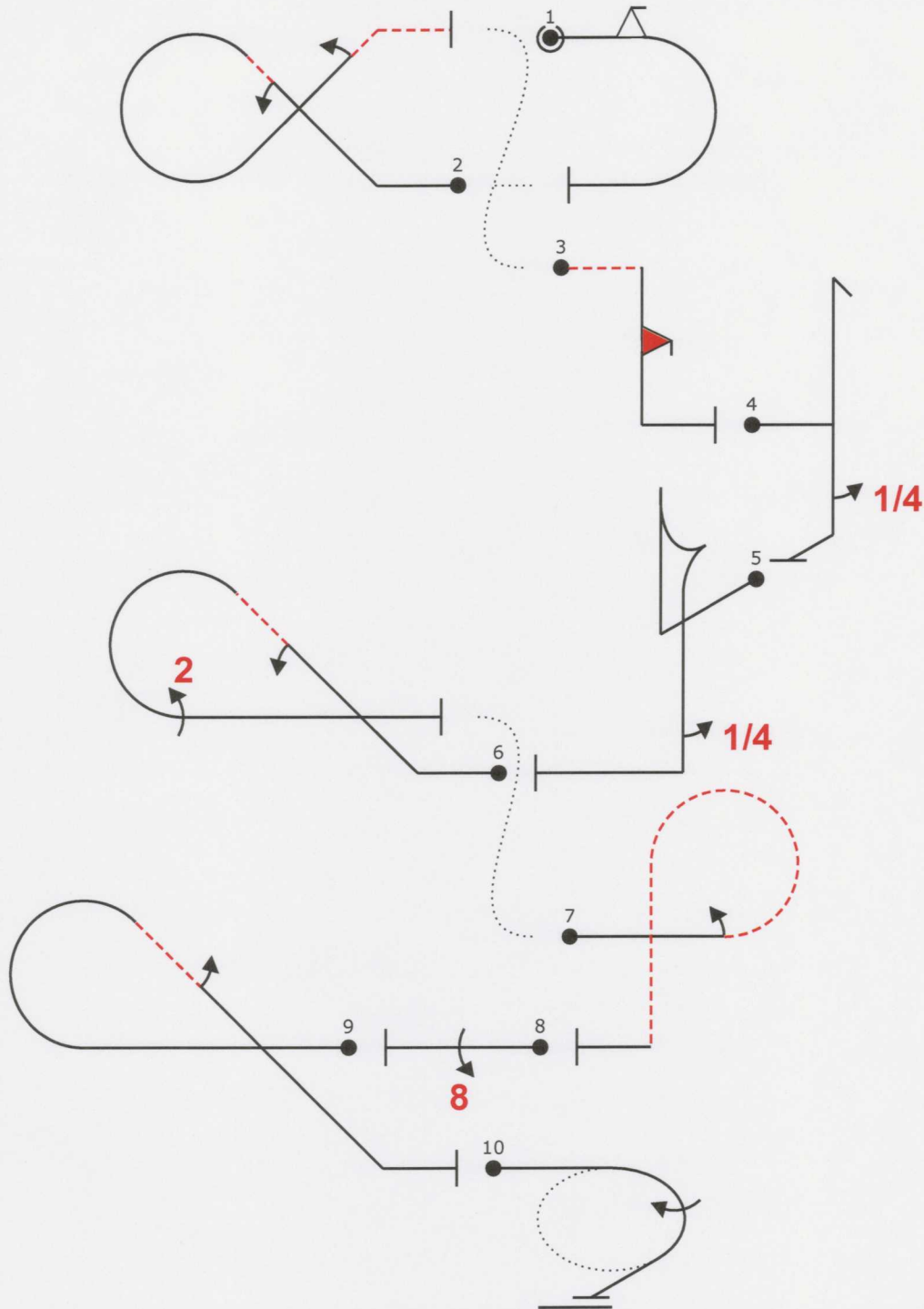
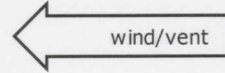
The sequence has been checked by Aresti software and is free of detectable errors.

Markus Feyerabend
Swift S-1 D-3169 pilot
A/C





Torun		Form B
Pilot ID	Glider unlimited Programme free	Flight #



Check: 23-7-2014 15:40 OpenAero 1.4.3.1 2014 glider-civa unlimited free Sequence is correct
 2fa [-2,0] 2g2- (2,13) -iv2if h4 ta4 2rc22 (3,12) 2p 88 c'12.' 1j1

Ulrich Huelsmann
 Mue28 / D-1128
 Pilot
 A/C

Ulrich Huelsmann



Pilot ID #

Unlimited Free

Flight #

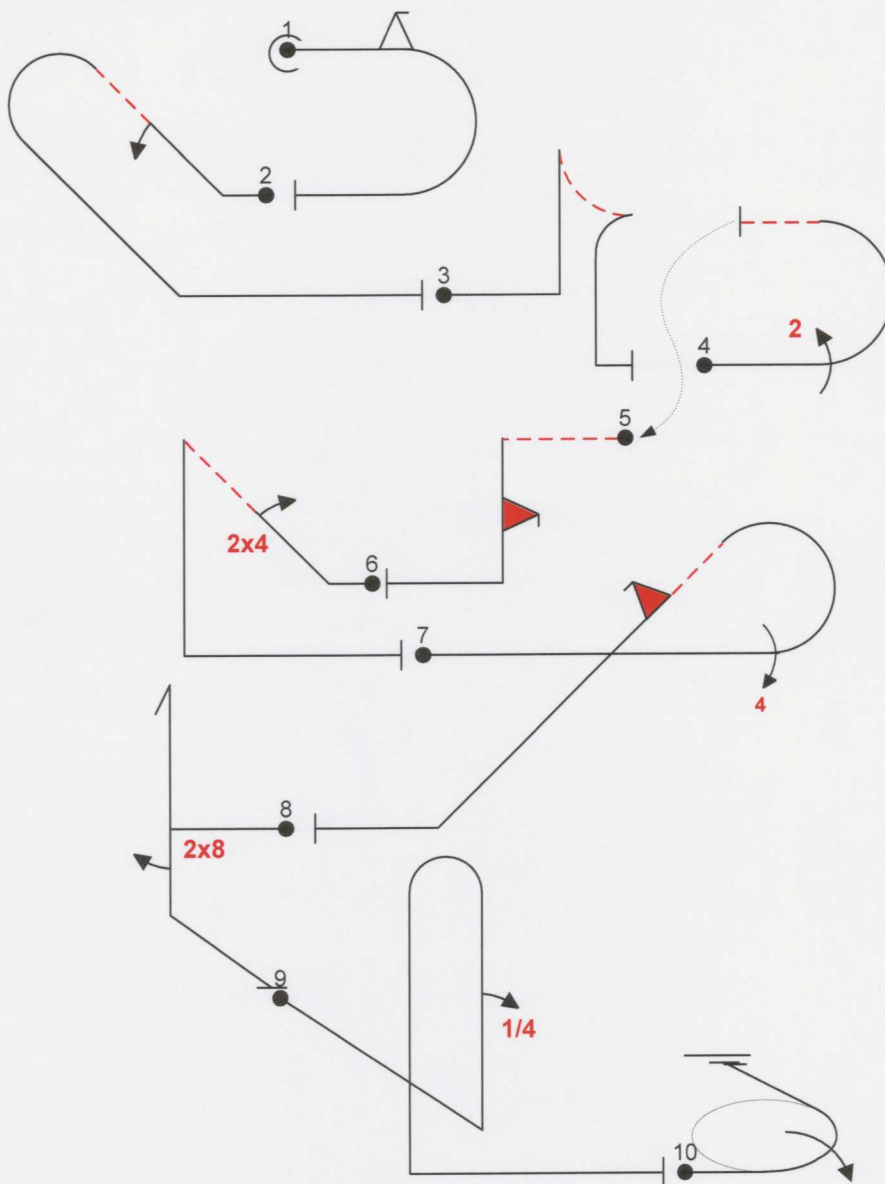
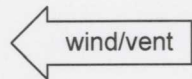


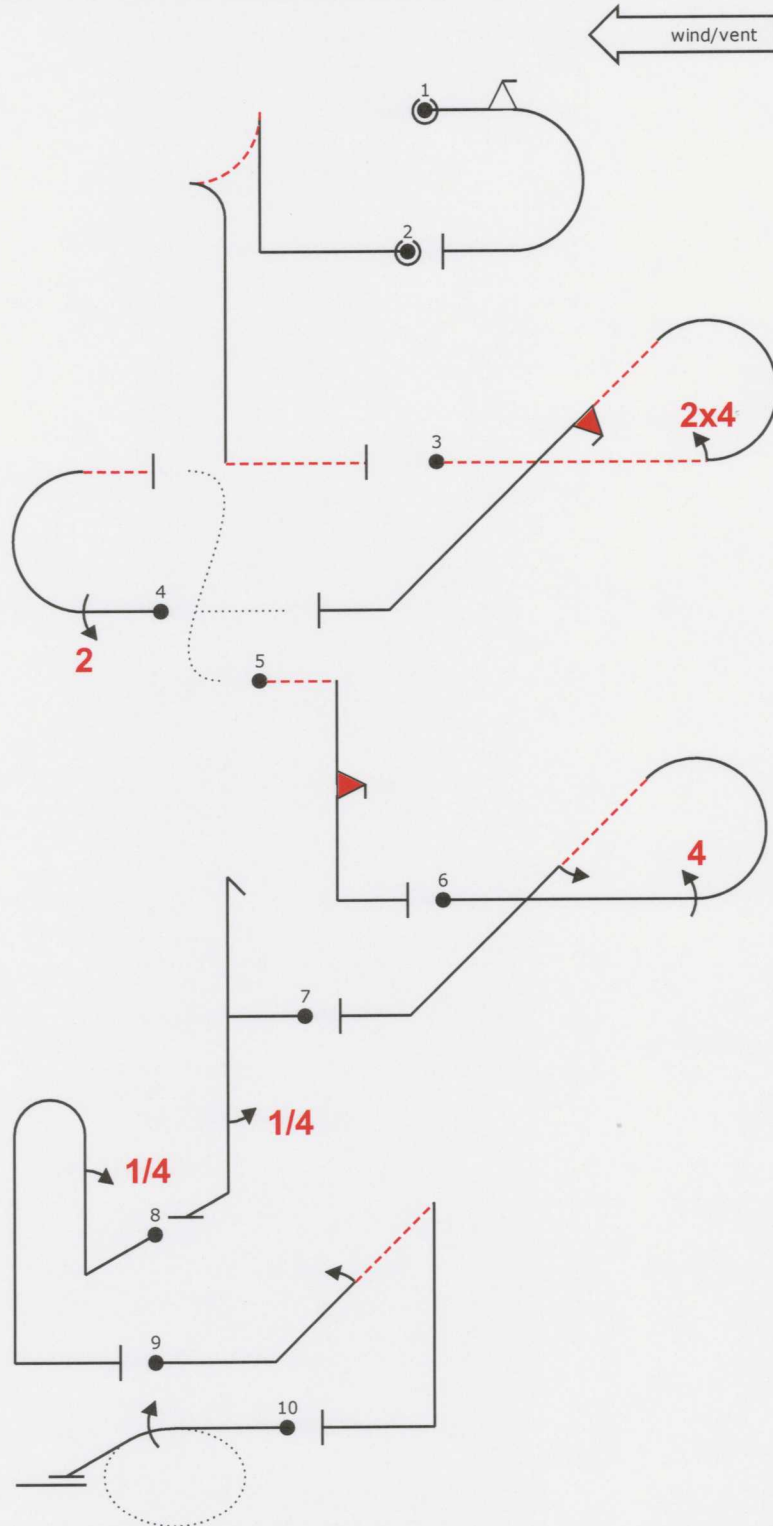
Fig 1	7.2.3.3 9.9.3.2	6 12	18
Fig 2	8.4.15.1 9.1.2.2	12 9	21
Fig 3	6.2.2.1	17	17
Fig 4	7.2.1.1 9.2.3.4	6 14	20
Fig 5	1.1.7.4 9.10.10.2	9 15	24
Fig 6	1.2.3.1 9.4.2.2	12 11	23
Fig 7	8.5.6.1 9.10.4.2 9.4.3.4	10 15 17	42
Fig 8	5.2.1.1 9.8.5.1	17 5	22
Fig 9	8.4.1.1 9.1.1.1	13 9	22
Fig 10	2.1.3.3	21	21
Total K = 230			

The sequence has been checked by Aresti software and is free of detectable errors.

Ferenc Toth pilot
Swift S-1 A/C



WGAC 2014 Torun		Form B
Pilot ID	Glider unlimited Programme free	Flight #



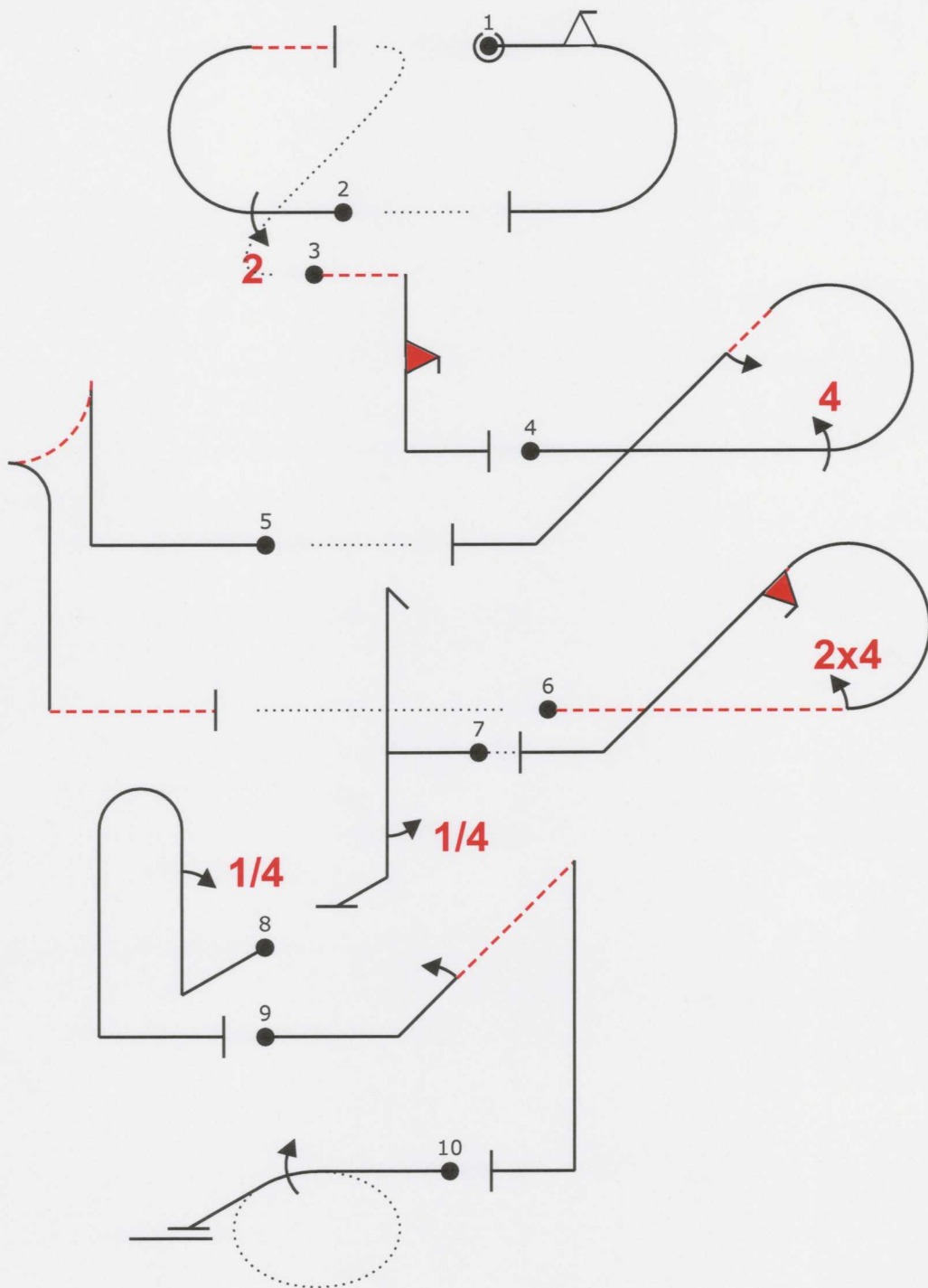
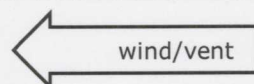
Check: 23-7-2014 15:43 OpenAero 1.4.3.1 2014 glider-civa unlimited free Sequence is correct
 // 2fa // ita.'- (0,0) --24c.2if.. (-5,0) 22m- (2,12) -iv''2if'' 44c.'2. h''4'' ,4b. 6% 2t 1j01

Janos SZILLAGYI
 Pilot

 A/C



WGAC 2014 Torun		Form B
Pilot ID	Glider unlimited Programme free	Flight #

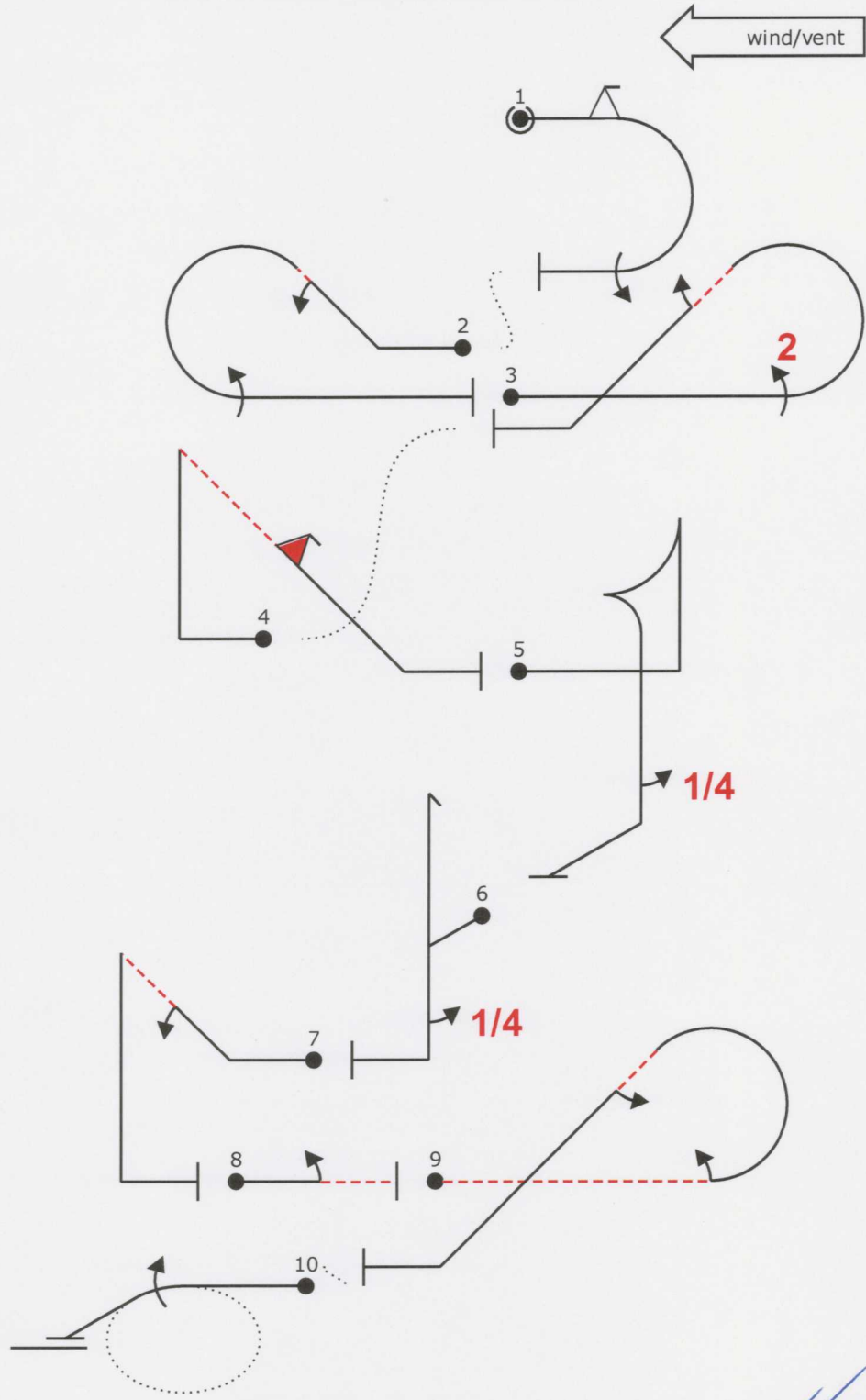


Check: 23-7-2014 15:44 OpenAero 1.4.3.1 2014 glider-civa unlimited free Sequence is correct
 2fa (-4,0) 22m- (-5,11) -iv2if 44c2.' (-5,0) ita- (12,0) -24c``2if'' (2,0) h4 (0,0) ,4b --2.'t...' 1j
 o1


 Janos SONKOLY
 Pilot
 A/C



Torun WGAC2014		Form B
Pilot ID	Glider Unlimited Programme Free	Flight #

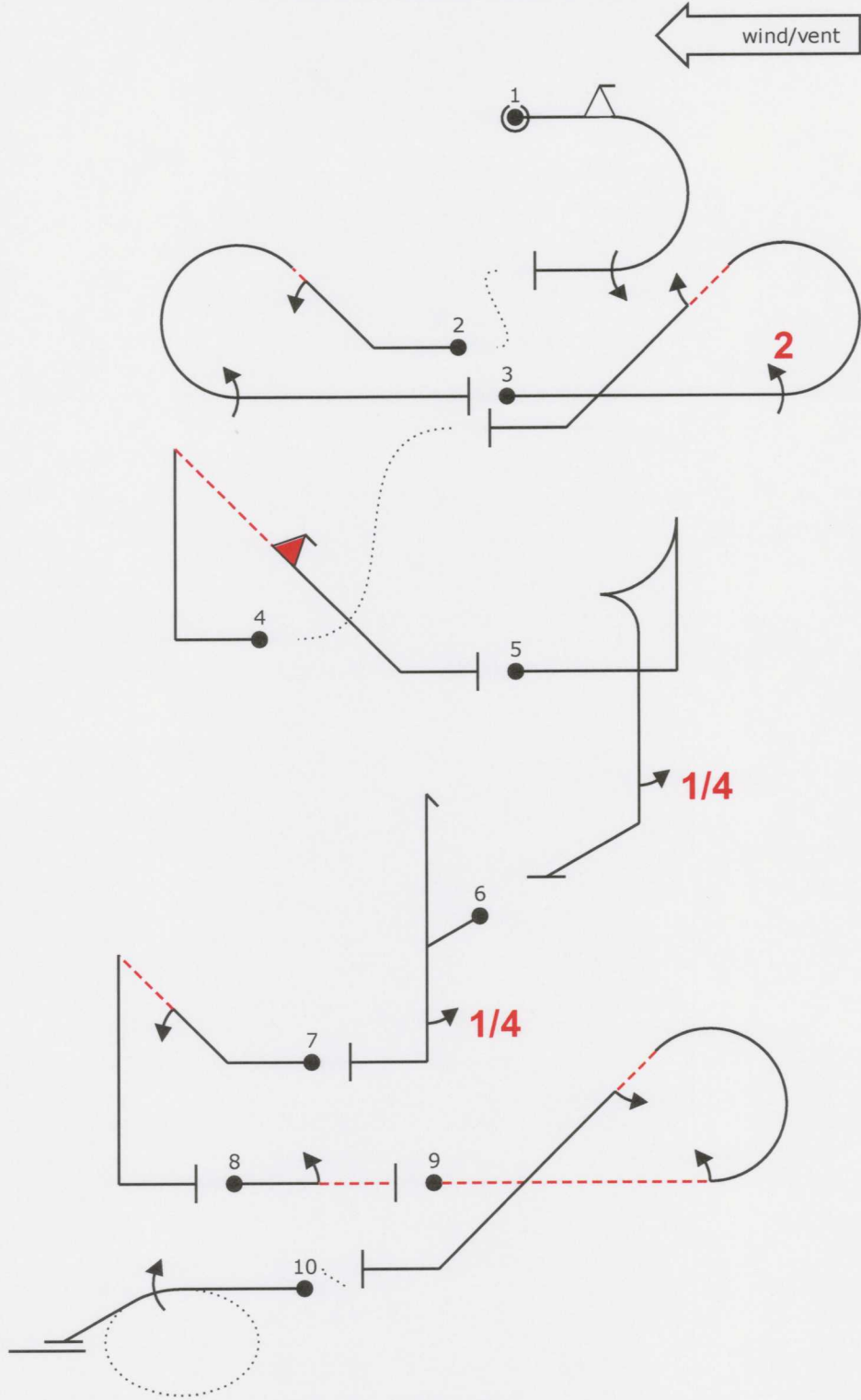


Check: 23-7-2014 15:45 OpenAero 1.4.3.1 2014 glider-civa unlimited free Sequence is correct
 2fal (0,4) ''''''2''''rc1'' 22c,2 (-8,11) k2if ta4 (0,0) h4 2t.' 2- -2c2.' (1,1) 1j01


PIETRO FILIPPINI
 Pilot
 Swift S1 OE-5706
 A/C



Torun WGAC2014		Form B
Pilot ID	Glider Unlimited Programme Free	Flight #

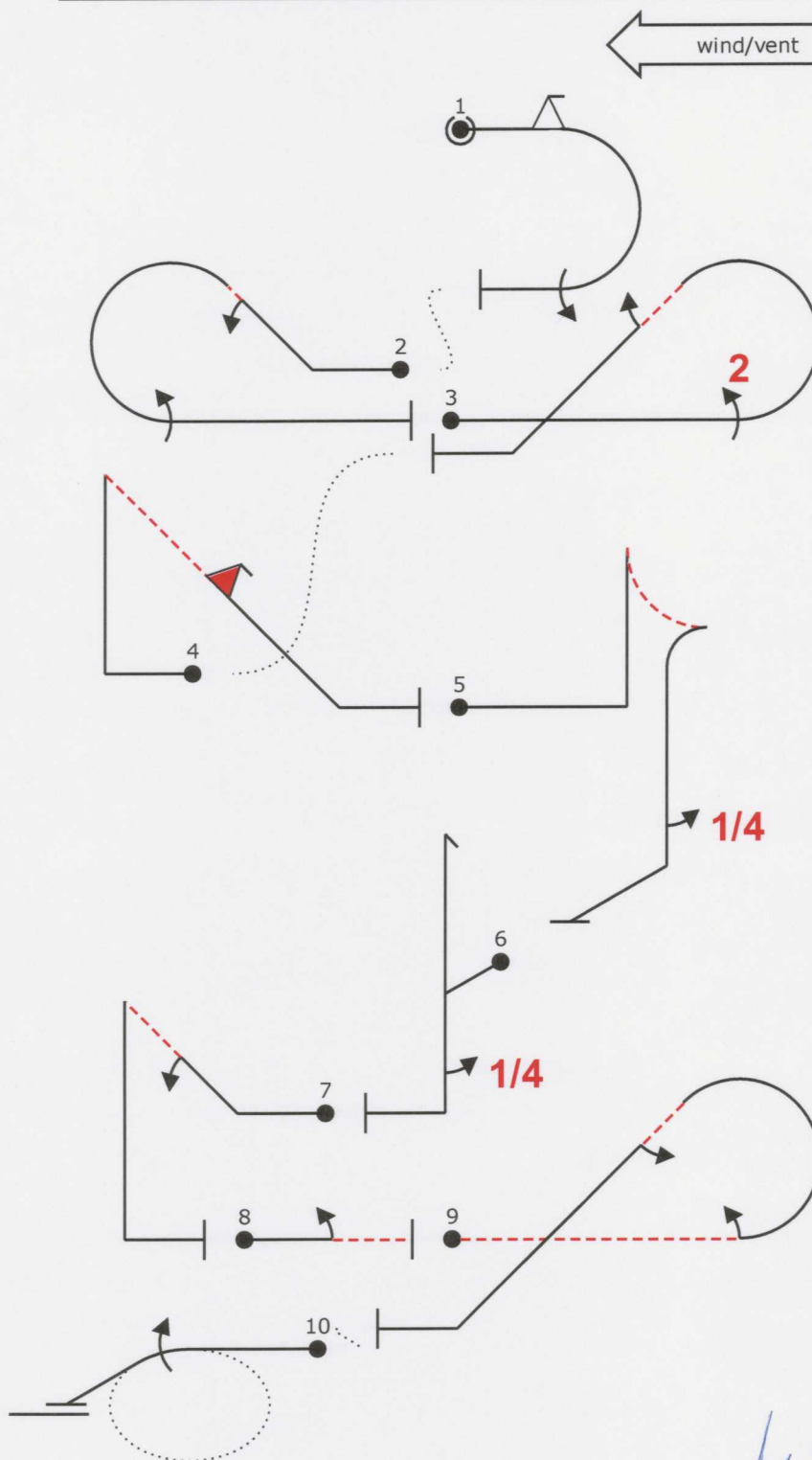


Check: 23-7-2014 15:48 OpenAero 1.4.3.1 2014 glider-civa unlimited free Sequence is correct
 2fal (0,4) *****2*****rc1** 22c,2 (-8,11) k2if ta4 (0,0) h4 2t.' 2- -2c2.' (1,1) 1jol

SASHA MARVIN Pilot
 Swift S1 OE-5706 A/C



Torun WGAC 2014		Form B
Pilot ID	Glider Unlimited Programme Free	Flight #

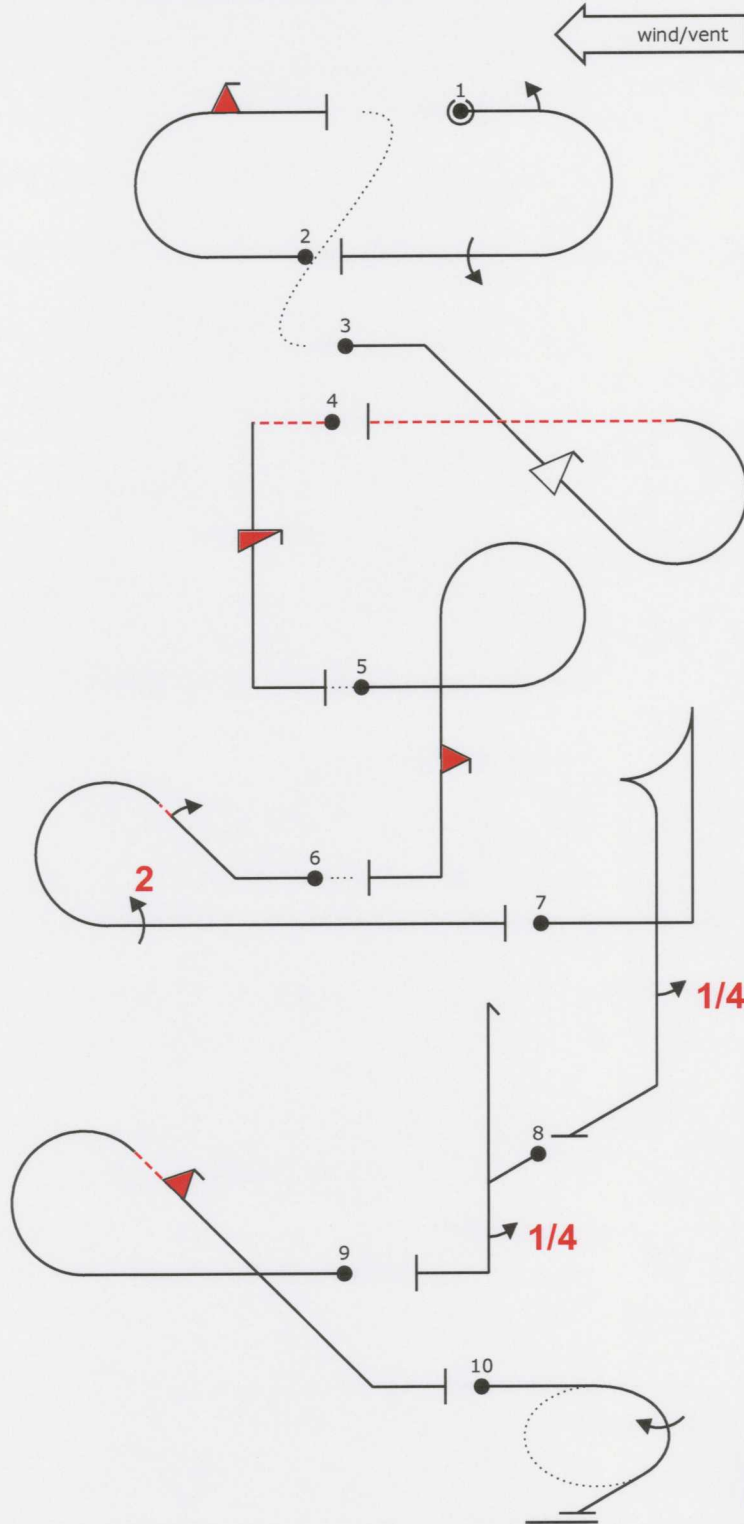


Check: 23-7-2014 15:48 OpenAero 1.4.3.1 2014 glider-civa unlimited free Sequence is correct
 2fal (0,4) ''''2''''rc1'' 22c,2 (-8,11) k2if ita4 (0,0) h4 2t.' 2- -2c2.' (1,1) 1joi

Luca Bertossio
 Luca Bertossio Pilot
 Swift S1 OE-5706
 A/C



Torun WGAC 2014		Form B
Pilot ID	Glider Unlimited Programme Free	Flight #

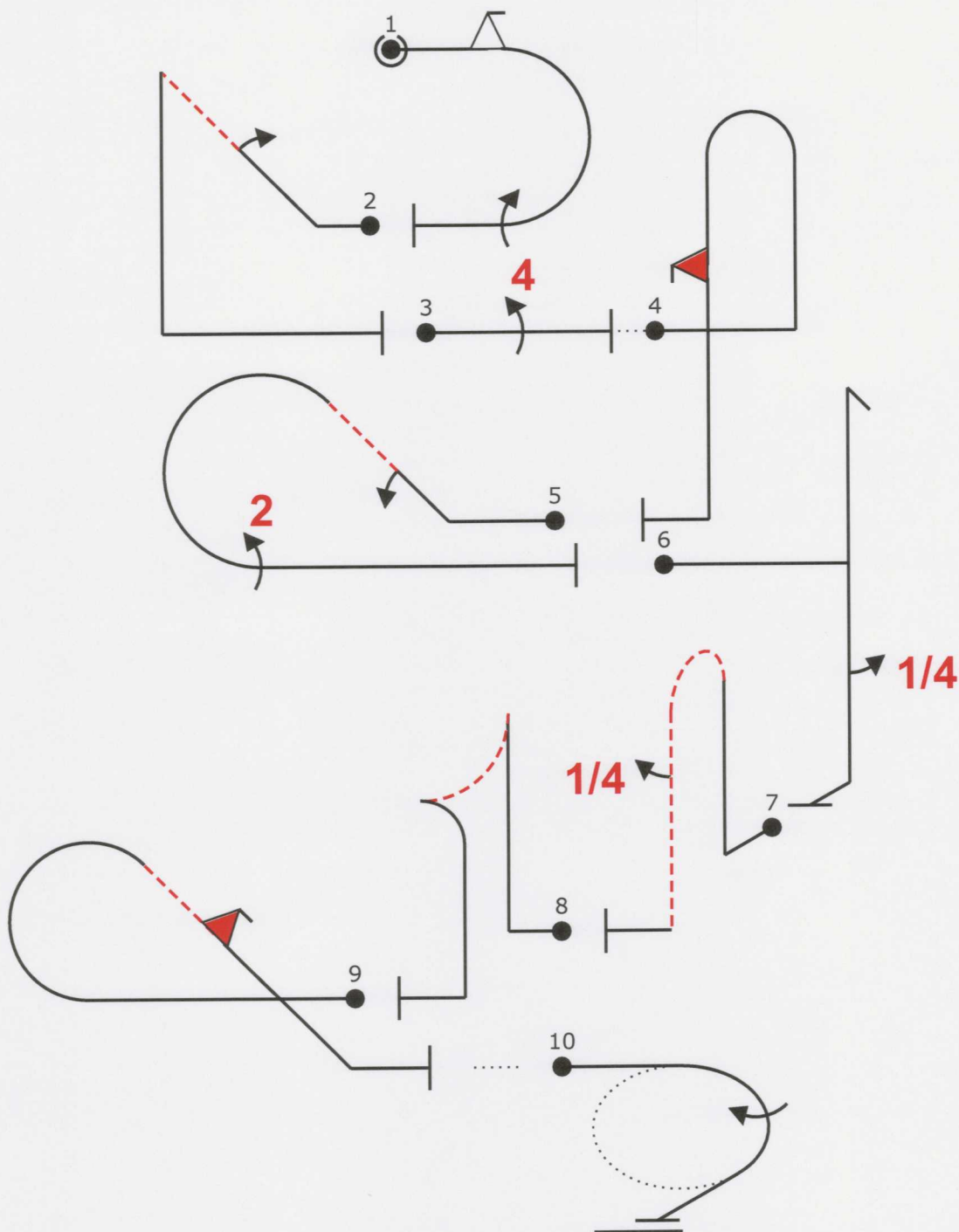
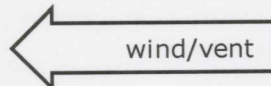


Check: 23-7-2014 15:50 OpenAero 1.4.3.1 2014 glider-civa unlimited free Sequence is correct
 2a.'1. -m'2if' (-3,13) f'irc.- -iv'is.' (-2,0) p2if.' (1,0) ''''',2''''''''rc''22... 'ta''4. 'h'4 (
 0,0) e2if.. 1j1

Tomonari KAJI
 Tomonari KAJI
 Pilot
 A/C



WGAC 2014 Torun		Form B
Pilot ID	Glider Unlimited Programme Free	Flight #

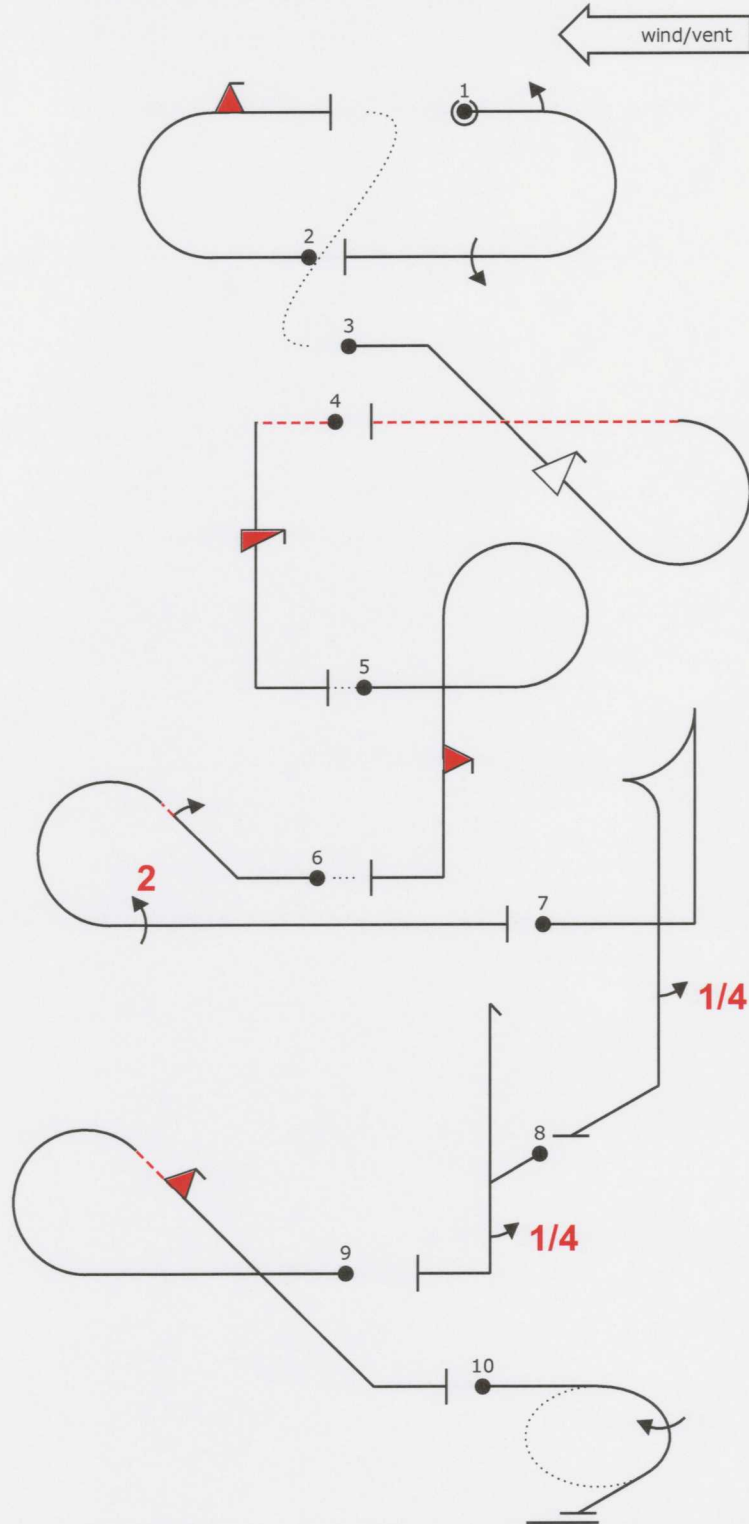


Check: 23-7-2014 15:50 OpenAero 1.4.3.1 2014 glider-civa unlimited free Sequence is correct
 2Fa,1 '+',2't.'++ 44 (-2,0) b',2if..'+' (0,0) 1% '2rc22+' (0,0) --h'4.'+'pb'',4.'+'
 '+ita''+' -1% 'c''2if (2,0) '+ijl

Tomasz KACZMARCZYK
Pilot



WGAC 2014 Torun		Form B
Pilot ID	Glider Unlimited Programme Free	Flight #

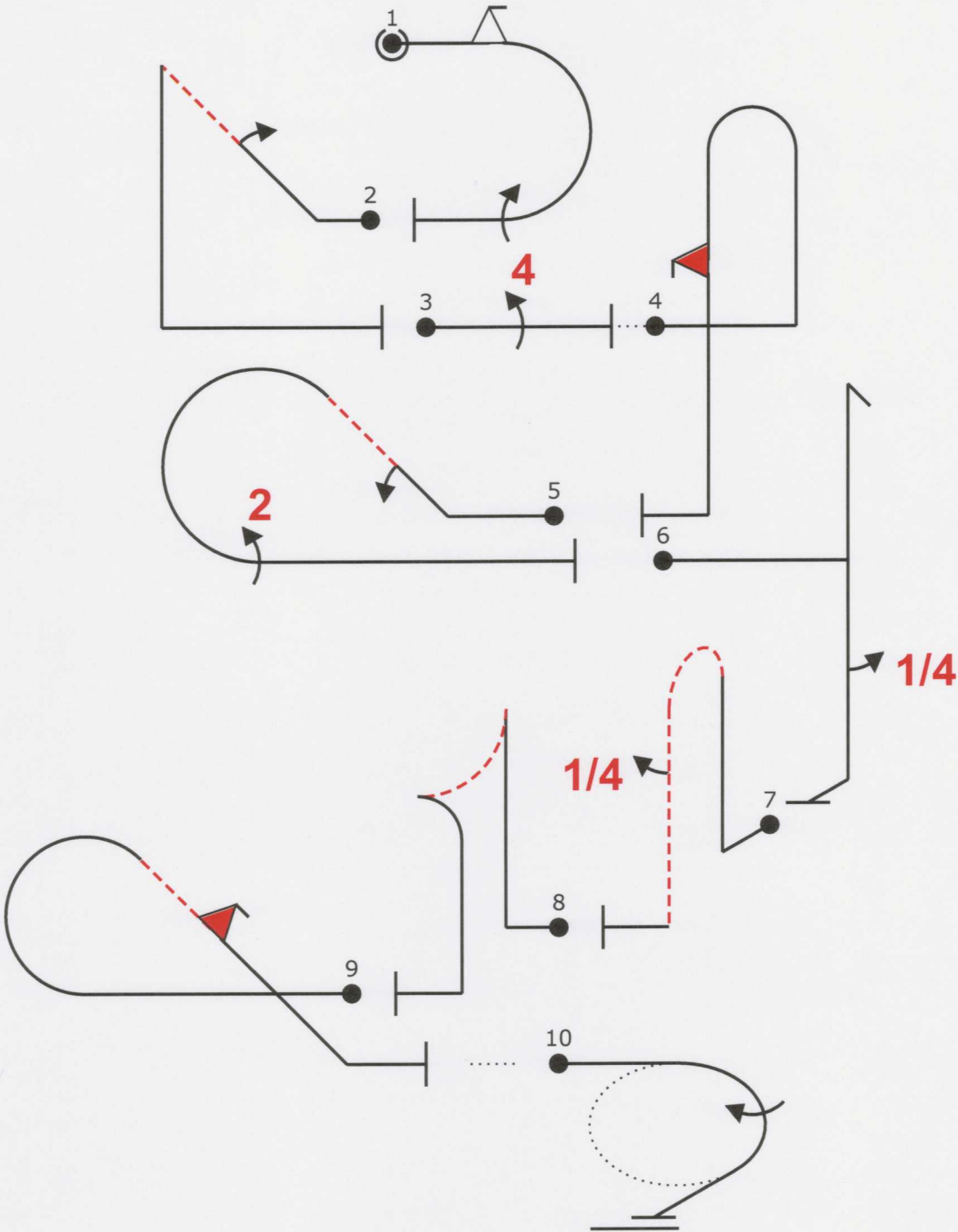
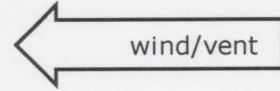


Check: 23-7-2014 15:55 OpenAero 1.4.3.1 2014 glider-civa unlimited free Sequence is correct
 2a.'1. ~m'2if' (-3,13) f'irc.- -iv''is.' (-2,0) p2if.' (1,0) ''''',2''''''''rc''22... ''ta''4. ''h'4 (0,0) c2if.. 1j1

JERZY MAKULA Pilot
Jerzy Makula
 A/C



WGAC 2014 Torun		Form B
Pilot ID	Glider Unlimited Programme Free	Flight #

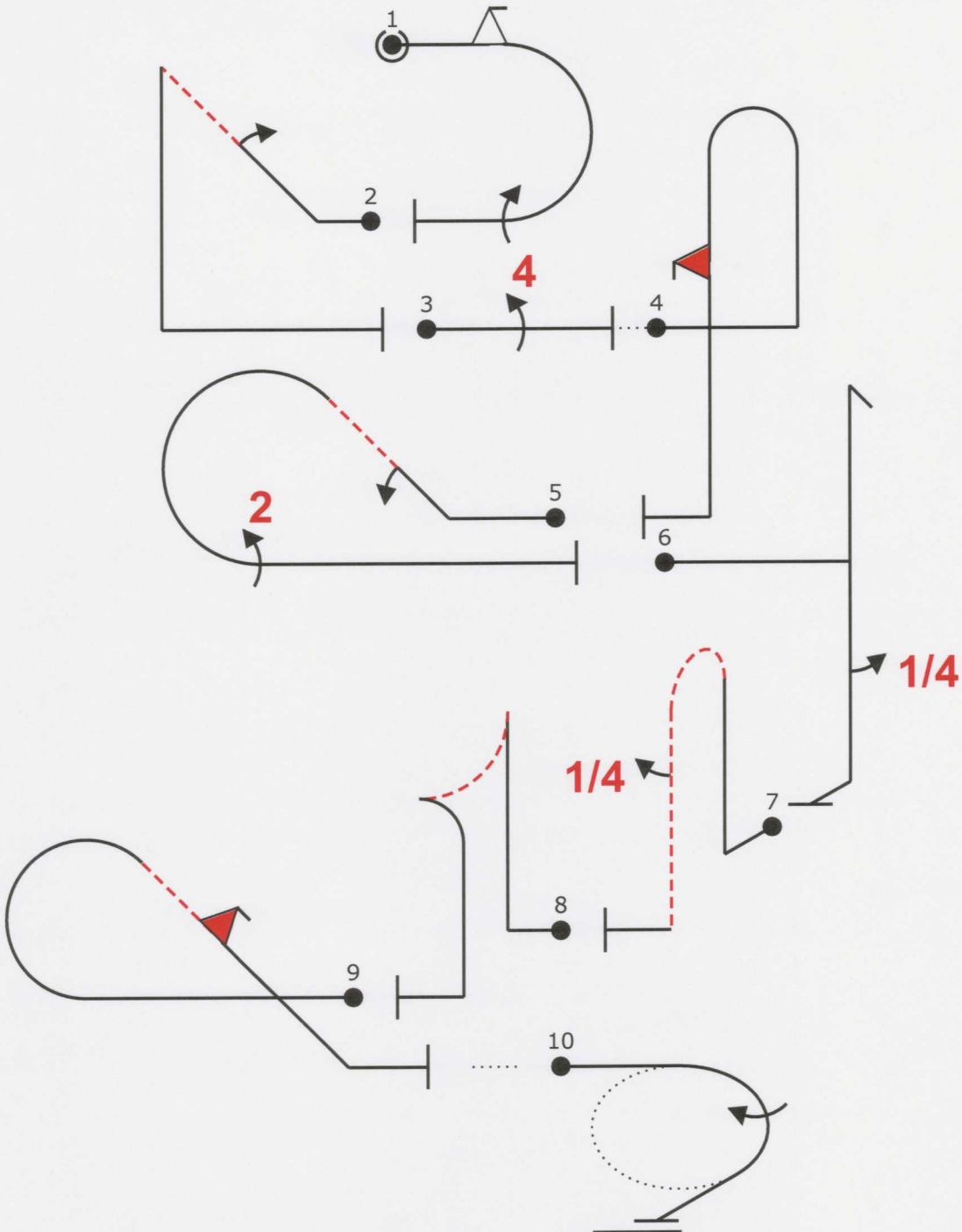
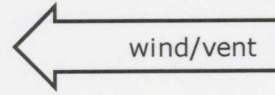


Check: 23-7-2014 15:57 OpenAero 1.4.3.1 2014 glider-civa unlimited free Sequence is correct
 2fa,1 ``'+,2't.'++ 44 (-2,0) b`,2if..'+'` (0,0) 1% ``````2rc22+` (0,0) ~+h'4.+` ````+pb````.4.+````
 ``````+ita````+```` -1% `+c'2if (2,0) `+1j1

Maciej POSPIESZYNSKI  
 Pilot  
*Maciej Pospieszynski*  
 KIC



WGAC 2014 Torun		Form B
Pilot ID	Glider Unlimited Programme Free	Flight #

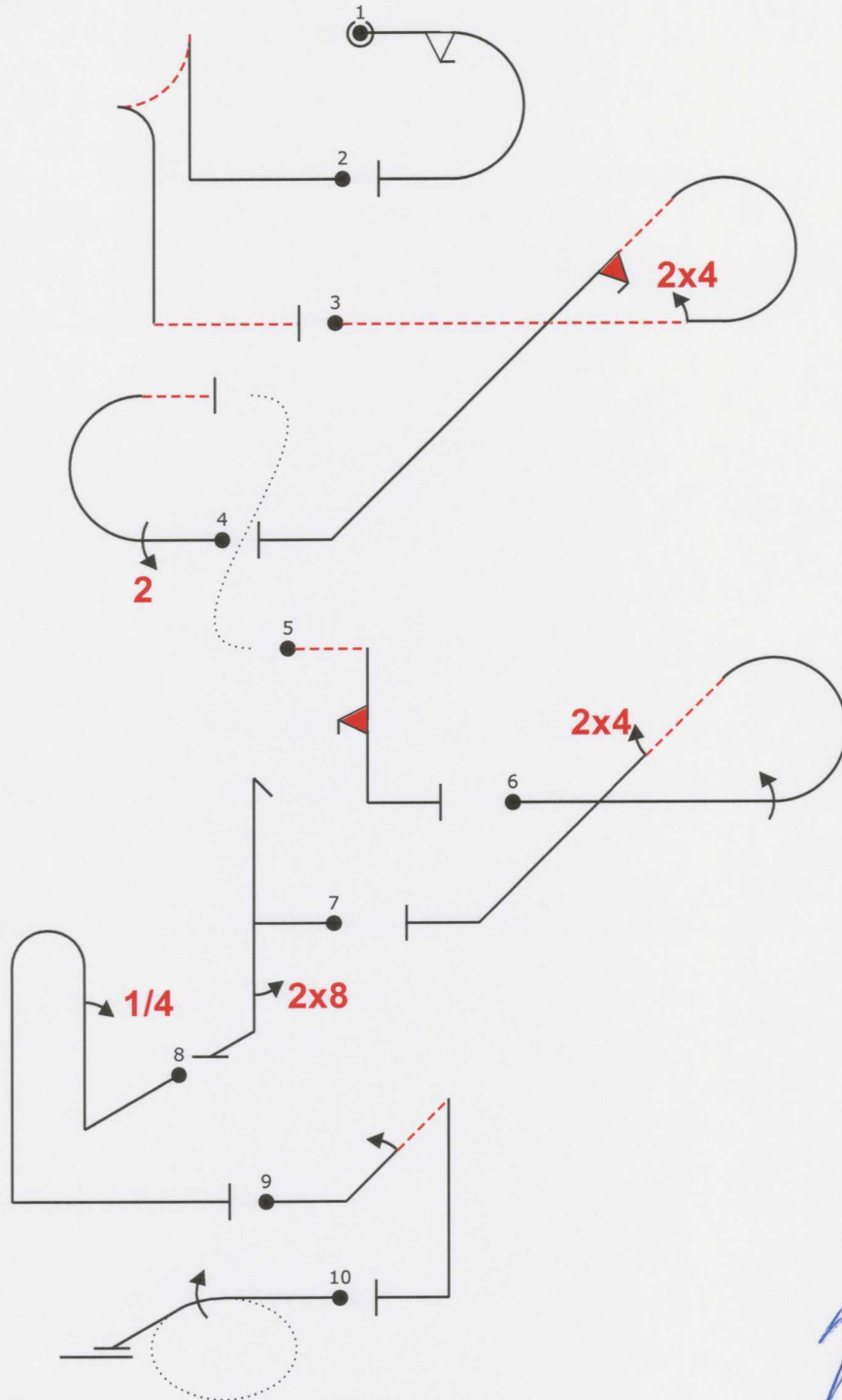
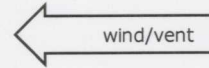


Check: 23-7-2014 15:57 OpenAero 1.4.3.1 2014 glider-civa unlimited free Sequence is correct  
 2fa,1 '+',2't.'++ 44 (-2,0) b',2if..'+' (0,0) 1% ''''''2rc22+' (0,0) -+h'4.''' ''pb''',4.'''  
 '''''+ita''''+''''-1%'c''2if (2,0) '+1j1

Magdalena STROZYK  
 Pilot



WGAC 2014 Torun		Form B
Pilot ID	Glider Unlimited Programme Free	Flight #

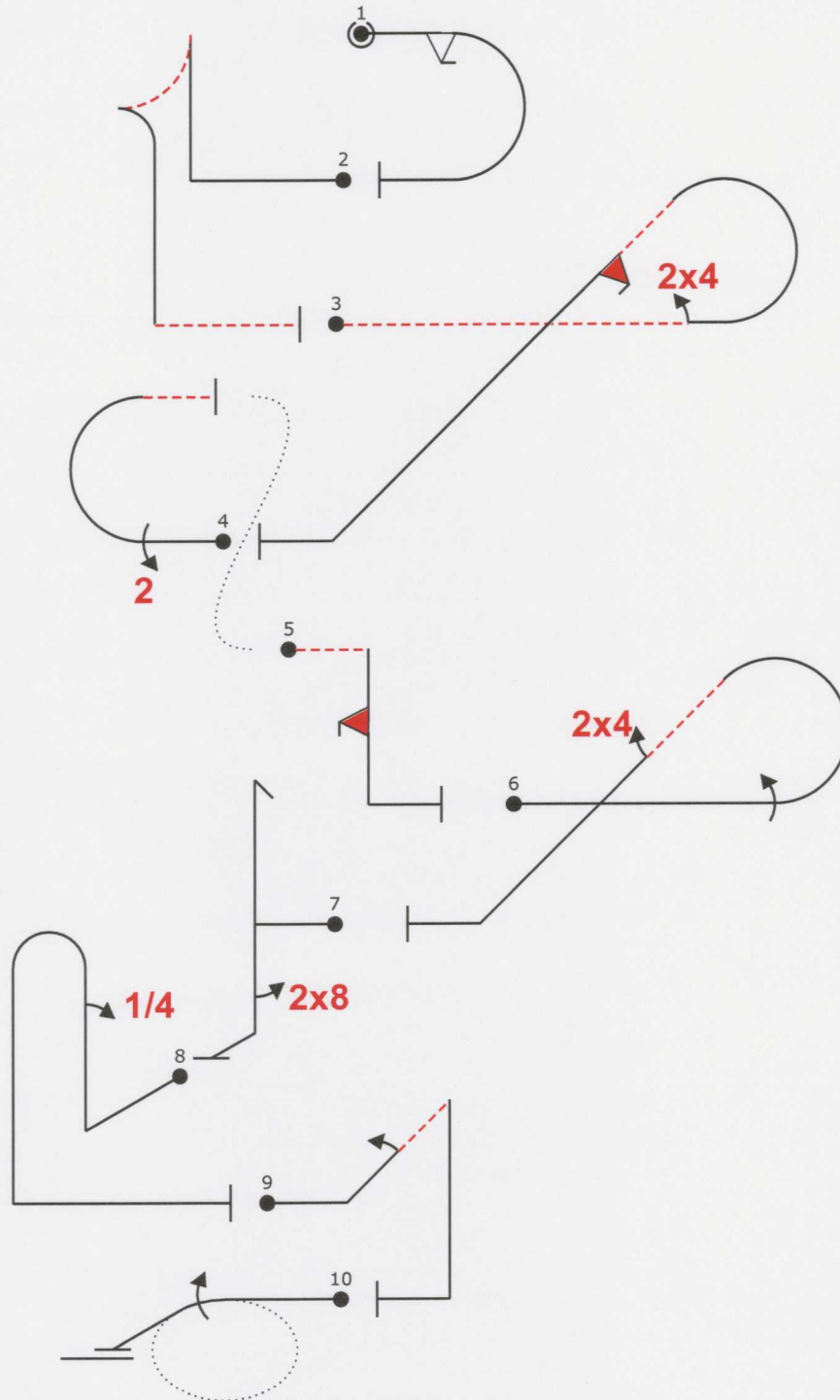
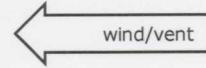


Check: 23-7-2014 15:58 OpenAero 1.4.3.1 2014 glider-civa unlimited free Sequence is correct  
 ,2fa ita- -. '24' 'c' '2if.... 22m- (0,14) -iv,2if (0,0) 1c.,24.' 2> h8 ~~,4b.+ 2t. 1jol

  
 Vladimir ILINSKIY  
 Pilot  
 Swift S-1  
 A/C



WGAC 2014 Torun		Form B
Pilot ID	Glider Unlimited Programme Free	Flight #

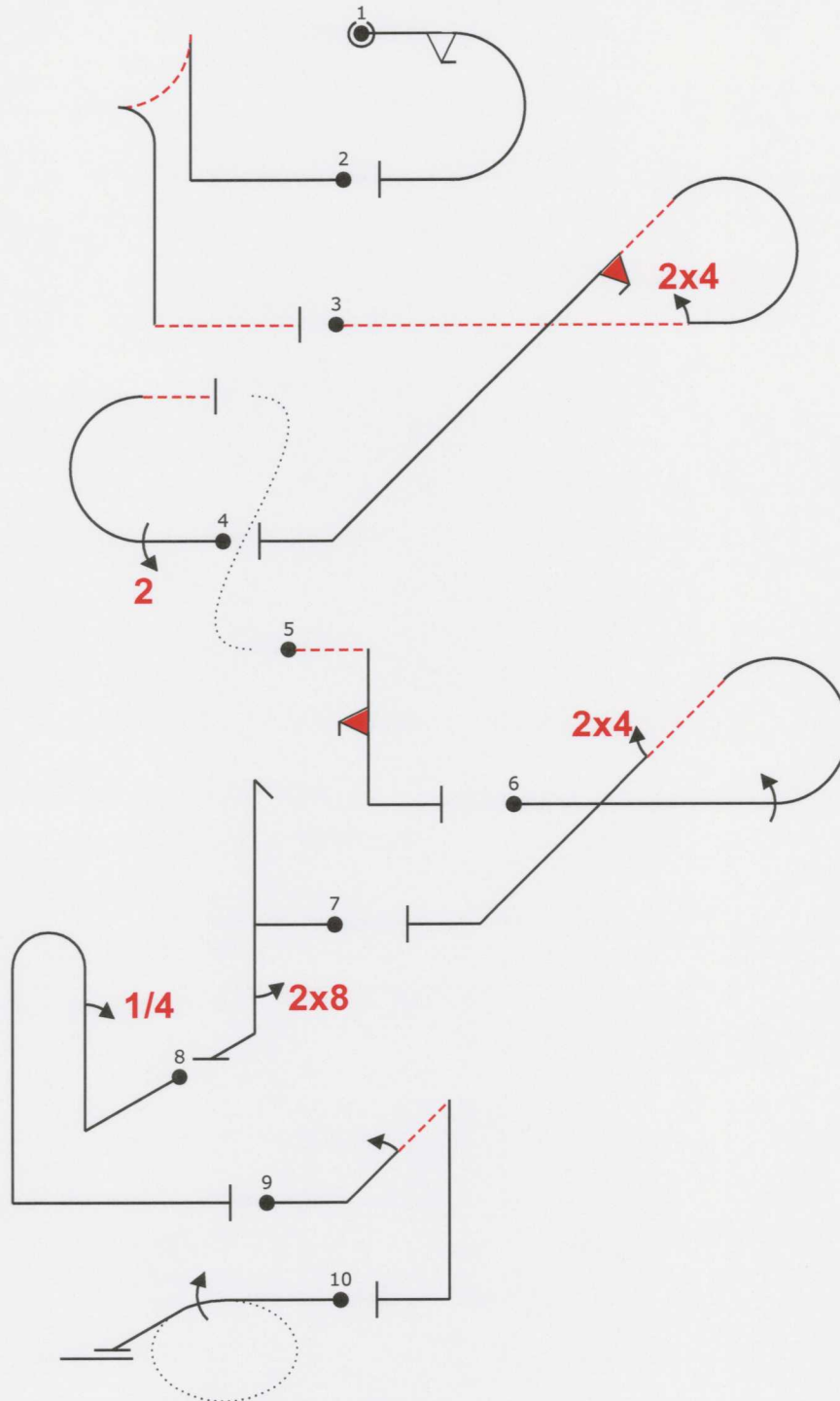
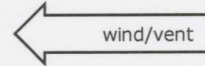


Check: 23-7-2014 15:59 OpenAero 1.4.3.1 2014 glider-civa unlimited free Sequence is correct  
 ,2fa ita- -.'24'c''2if.... 22m- (0,14) -iv,2if (0,0) 1c.,24.' 2> h8 --',4b.+ 2t. 1jol

*pl*  
 Valeiy KORCHAGIN Pilot  
 Swift S-1 A/C



WGAC 2014 Torun		Form B
Pilot ID	Glider Unlimited Programme Free	Flight #

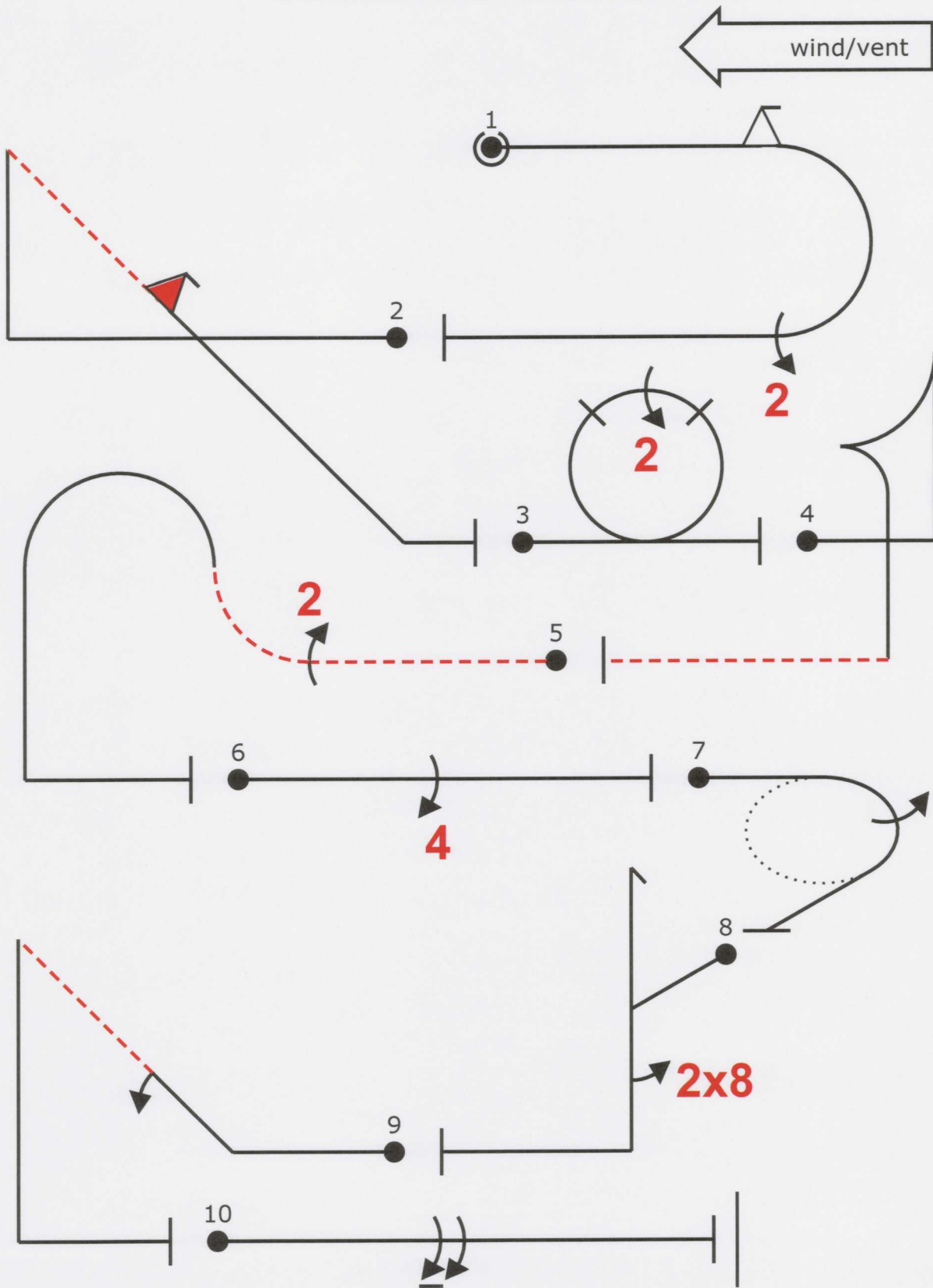


Check: 23-7-2014 15:59 OpenAero 1.4.3.1 2014 glider-civa unlimited free Sequence is correct  
 ,2fa ita- -.'24''c''2if.... 22m- (0,14) -iv,2if (0,0) 1c.,24.' 2> h8 ~~,4b.++ 2t. 1j01

*Georgy*  
 Georgy KAMINSKIY Pilot  
 Swift S-1 A/C



		Form B
Pilot ID	Glider Unlimited Programme Free	
	Flight #	



*Eric Lentz-Gauthier*  
Pilot  
A/C



<b>17th FAI World Glider Aerobatic Championships</b>		<b>2014</b>	<b>FORM B</b>
Pilot ID #	<b>Unlimited Free</b>		Flight #

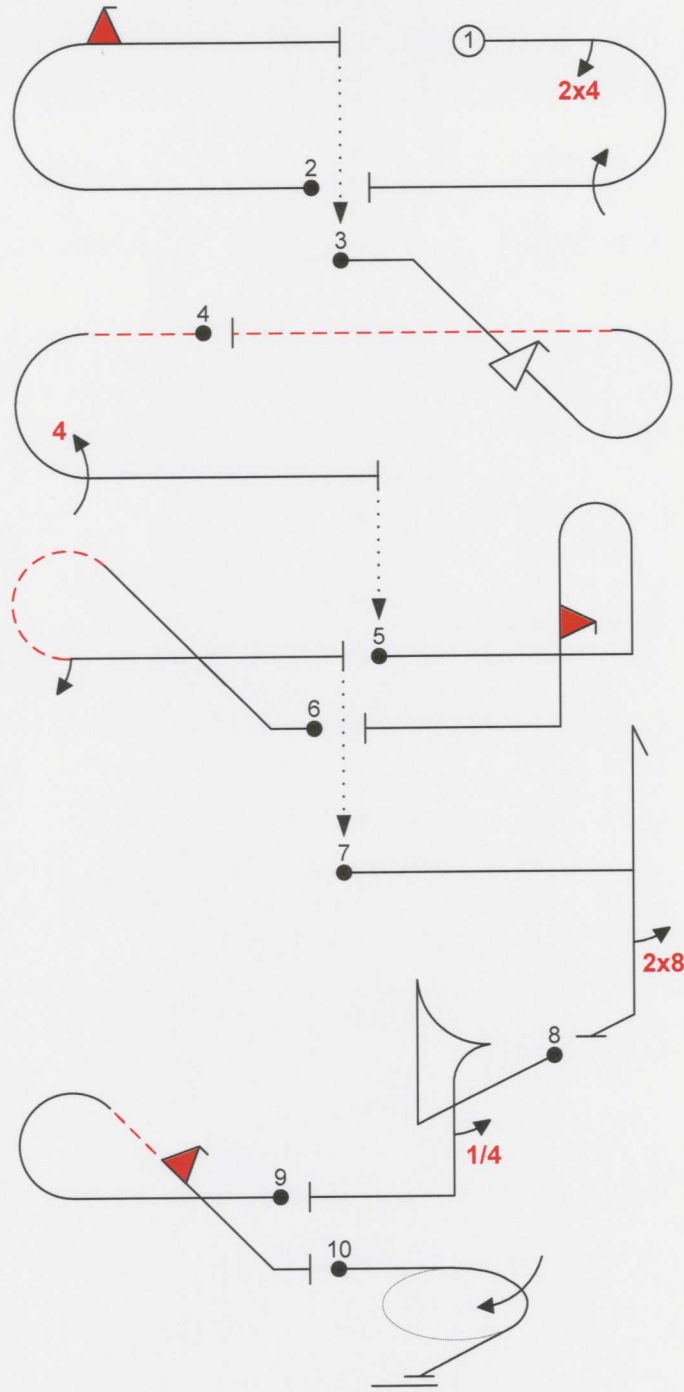
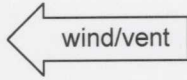


Fig 1	7.2.3.3 9.4.3.2 9.1.3.4	6 8 12	26
Fig 2	7.2.2.1 9.10.8.2	6 18	24
Fig 3	8.5.1.3 9.9.4.4	10 16	26
Fig 4	7.2.1.4 9.4.3.4	6 17	23
Fig 5	8.4.1.1 9.10.10.2	13 15	28
Fig 6	8.5.3.1 9.1.3.2	12 6	18
Fig 7	5.2.1.1 9.8.5.1	17 5	22
Fig 8	6.2.1.1 9.1.5.1	17 3	20
Fig 9	8.5.6.1 9.10.4.2	10 15	25
Fig 10	2.1.3.1	19	19
<b>Total K = 231</b>			

Created Using Aresti 2013™ software. ACCassidy@aol.com

*Jason The Stephens*  
 Jason Stephens  
 MDM-1 Solo FOX A/C  
 pilot